



PUMPS

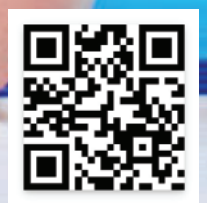




PUMPS

PUMPS

Self Priming Pumps	70
Variable Speed Pumps	80
AF Series Cast Iron Pumps	82
Commercial Pumps	84
Submersible Pumps	96
Solar Pumps	98
Counter Current Jet Pumps	100
Jew Stream	105
Commercial Centrifugal Cast Iron Pumps	107
Prefilters	112



► Self Priming Pumps



Technical Specification

Code	Type	Connections		Kw	Hp	µF	Power			Head (m) - Flow rate m³/h								Volume (m³)	Weight (Kg)	
		Suction	Delivery				Phase	Voltage	Amps	4	5	6	7	8	9	10	11			12
00211025	Micro-25	1.5"	1.5"	0.19	0.25	10	1	230	1.8	6.2	5.7	5.1	4.3	2.9	1.7	-	-	-	0.023	6.4
00211033	Micro-33	1.5"	1.5"	0.25	0.33	10	1	230	2.2	8.6	7.8	7.1	6.4	5.5	4.4	3.1	1.3	-	0.023	7.4
00211050	Micro-50	1.5"	1.5"	0.37	0.50	12.5	1	230	2.8	11.1	10.0	9.3	8.3	7.5	6.4	5.1	3.4	1.3	0.023	8.0

Micro - Self Priming Centrifugal Pump

Specially designed for water transfer through small filters (silex or cartridge) for smaller above and in-ground pools.

Materials

Pump body	Polypropylene 30% Fiberglass
Filter basket	Polypropylene
Shaft	Stainless Steel AISI 420
Mechanical seal	Carbon + Resin - Ceramics
Impeller and diffuser	Noryl + 30% Fiberglass
Motor	3000 r.p.m
Insulation class	F
Waterproof	IP55

Code	Type	Kw	HP	µF	Phase	Power			Head (m) - Flow rate m³/h								Volume (m³)	Weight (Kg)
						Voltage	Amps	Suction	Delivery	4	6	8	10	12	14	16		
00221033	Mini-33	0.25	0.33	12.5	1	230	3.2	1.5"	1.5"	12.5	10.8	9.0	6.5	3.3	-	-	0.029	9.0
00221050	Mini-50	0.37	0.50	14	1	230	3.7	1.5"	1.5"	13.3	11.7	10.0	7.9	5.6	2.3	-	0.029	9.5
00221080	Mini-80	0.60	0.80	20	1	230	4.8	1.5"	1.5"	17.0	15.0	13.2	11.7	9.3	6.0	0.8	0.029	10.9
00221083	Mini-80	0.60	0.80	20	3	230/400	2.6/1.5	1.5"	1.5"	17.0	15.0	13.2	11.7	9.3	6.0	0.8	0.029	10.9
00221010	Mini-100	0.75	1.00	20	1	230	5.3	1.5"	1.5"	19.0	18.0	16.4	13.9	11.0	7.3	1.0	0.029	11.5
00221013	Mini-100	0.75	1.00	20	3	230/400	3.2/1.8	1.5"	1.5"	19.0	18.0	16.4	13.9	11.0	7.3	1.0	0.029	11.5

MINI - Self-priming centrifugal pump

The Mini pump is a centrifugal pump with prefilter, designed to be used with small or mid-range pool's water treatment system. Suitable for constant use with sea water. Its self priming features makes the best choice for pool water's filters and automatic vacuum cleaners.

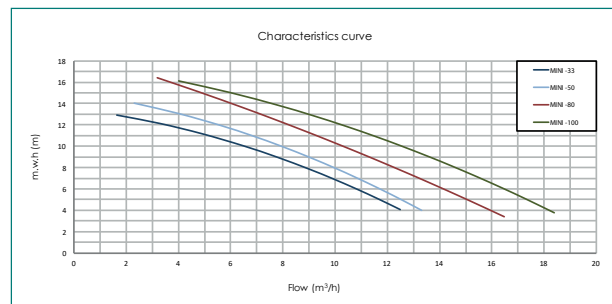
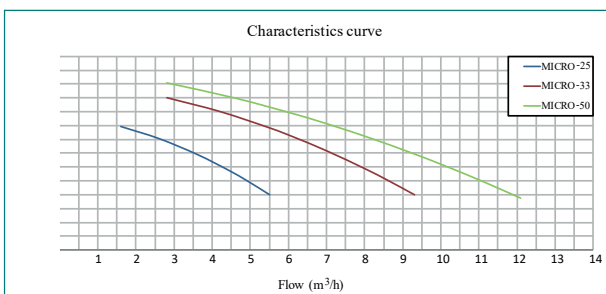
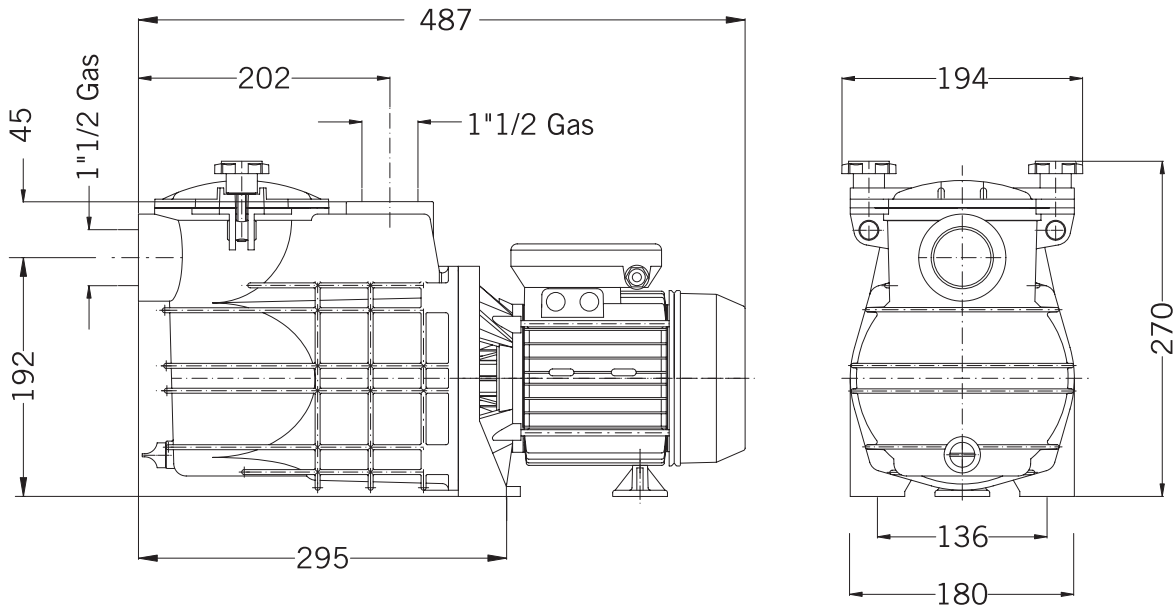
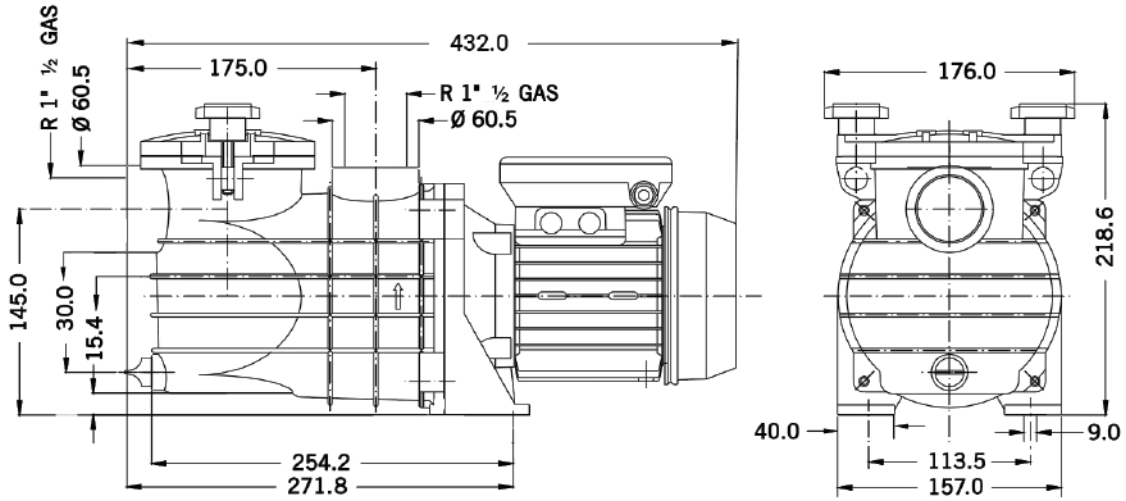
Materials

Pump body	Polypropylene 30% Fiberglass
Filter basket	Polypropylene
Shaft	Stainless Steel AISI 420
Mechanical seal	Carbon + Resin - Ceramics
Impeller and diffuser	Noryl + 30% Fiberglass
Motor	3000 r.p.m.
Insulation class	F
Waterproof	IP55



Self Priming Pumps

Pumps





► Cyclone Series Pumps



Technical Specification

Code	Power			Voltage	Connections		Head (m)					
	kW	HP	Phase		Suction	Delivery	6	8	10	12	14	16
00262415	0.6	0.75	1	230	1.5"	1.5"	13	11	9	5		
00262153	0.75	1	1	230	1.5"	1.5"	18	16	14	11	7	
00262420	1.1	1.5	1	230	1.5"	1.5"	22	20	17	15	12	
00262230	1.5	2	1	230	2"	2"	27	25	23	20	17	7
00262430	2.2	3	1	230	2"	2"	32	30	28	25	23	13
00262330	0.75	1	3	380	1.5"	1.5"	18	16	14	11	7	
00262530	1.1	1.5	3	380	1.5"	1.5"	22	20	17	15	12	
00262630	1.5	2	3	380	2"	2"	27	25	23	20	17	7
00262730	2.2	3	3	380	2"	2"	32	30	28	25	23	13

Cyclone Series Pumps

Proteam Europa self priming CYCLONE series pumps meet all requirements for pool pumping systems. Appropriate for medium and large pools as well as water games, spas counter current swimming sets. The big capacity of its strainer basket provides an efficient leaf trapping. Its easy handled transparent lid provides good visibility of the basket and simplifies the pump maintenance. Manufactured with materials highly resistant to corrosion and high quality mechanical seals, CYCLONE pumps are suitable for sea water use.

Materials

Pump body	Polypropylene 30% Fiberglass
Filter basket	Polypropylene
Shaft	Stainless Steel AISI 420
Mechanical seal	Carbon + Resin - Ceramics
Impeller and diffuser	Noryl + 30% Fiberglass
Motor	3000 r.p.m.
Insulation class	F
Waterproof	IP55

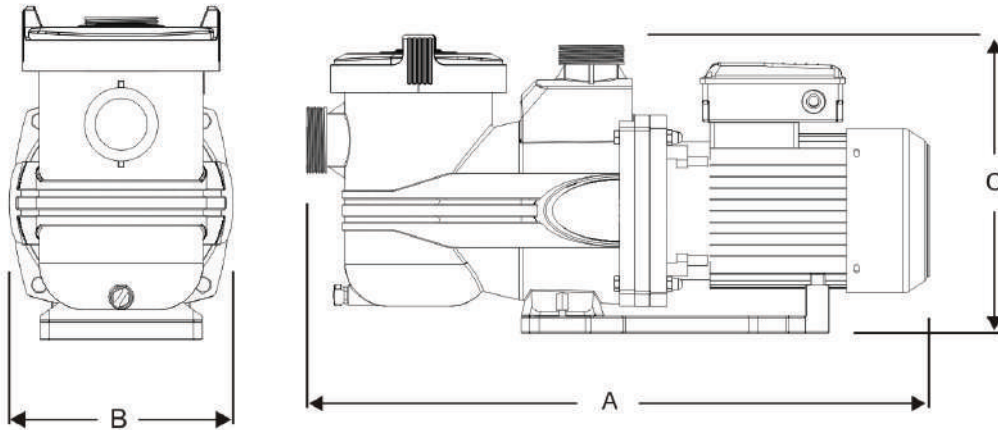
Length A (mm)	Width B (mm)	Height C (mm)	Volume (m ³)	Weight (Kg)
595	200	295	57	15
595	200	295	57	15
605	200	295	57	15
605	200	295	57	18
605	200	295	57	18
595	200	295	57	15
605	200	295	57	15
605	200	295	57	18
605	200	295	57	18

Features

Lower Noise, 0.75 HP can lower than 65 DB | Liquid Temperature 5 - 50°C | Ambient Temperature Up to 45°C
Maximum working pressure 2.5 Bar | Thermal Protection includes.

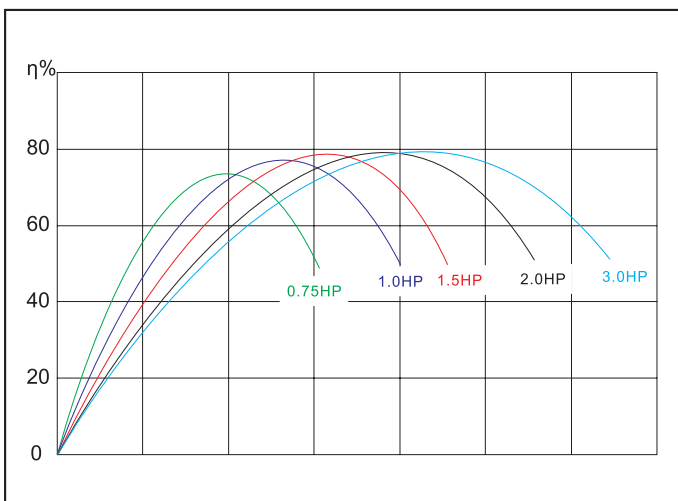
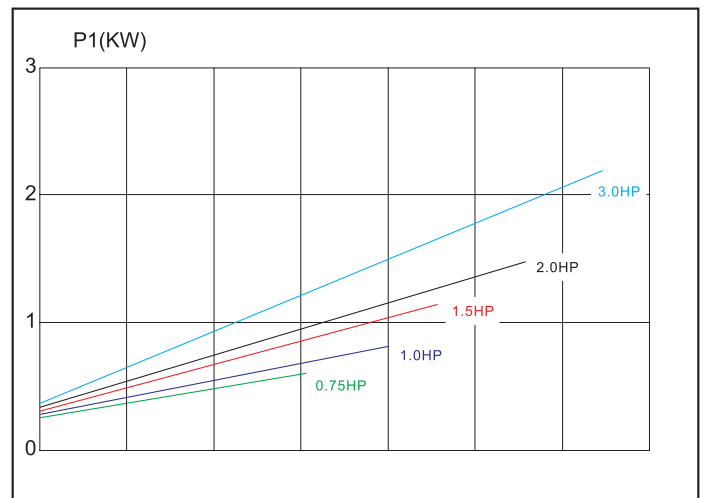
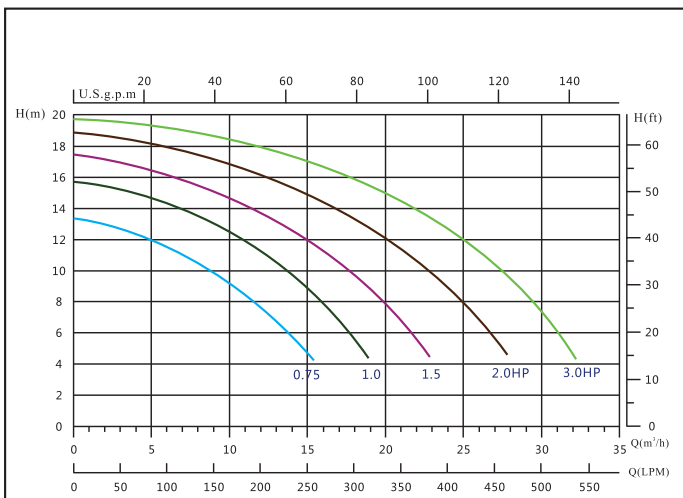


► Cyclone Series Pumps



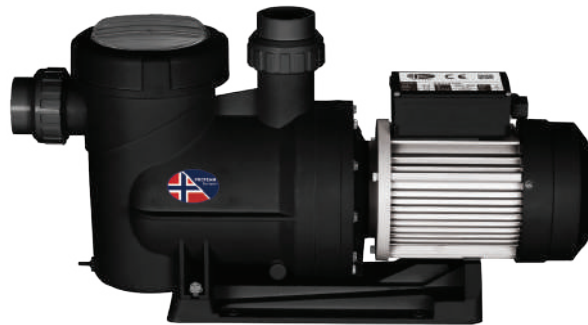
Pumps

Performance Curve





► Zumaro Series Pumps



Pumps



Technical Specification

Code	Power			Voltage	Connections		Head (m)							
	kW	HP	Phase		Suction mm	Delivery mm	4	6	8	10	12	14	16	18
00252200	1.5	2	1	230	63	63	34	32	29	26	23	19	14	7
00252300	2.2	3	1	230	63	63	38	36	34	31	27	24	19	14
00252400	1.5	2	3	380	63	63	34	32	29	26	23	19	14	7
00252500	2.2	3	3	380	63	63	38	36	34	31	27	24	19	14
00252600	2.6	3.5	3	380	63	63	41	39	36	34	31	28	24	19
00252700	3	4	3	380	63	63	49	47	44	41	37	34	30	25

Zumaro Series Pumps

Proteam Europa self priming Zumaro series pumps meet all requirements for pool pumping systems. Appropriate for medium and large pools as well as water games, spas counter current swimming sets. The big capacity of its strainer basket provides an efficient leaf trapping. Its easy handled transparent lid provides good visibility of the basket and simplifies the pump maintenance. Manufactured with materials highly resistant to corrosion and high quality mechanical seals, ZUMARO pumps are suitable for sea water use.

Materials

Pump body	Polypropylene 30% Fiberglass
Filter basket	Polypropylene
Shaft	Stainless Steel AISI 420
Mechanical seal	Carbon + Resin - Ceramics
Impeller and diffuser	Noryl + 30% Fiberglass
Motor	3000 r.p.m.
Insulation class	F
Waterproof	IP55

Length A (mm)	Width B (mm)	Height C (mm)	Volume (m ³)	Weight (Kg)
671	261	361	59	17
671	261	361	59	17
671	261	361	59	17
673	262	362	59	17
673	262	362	59	20
673	262	362	59	20

Features

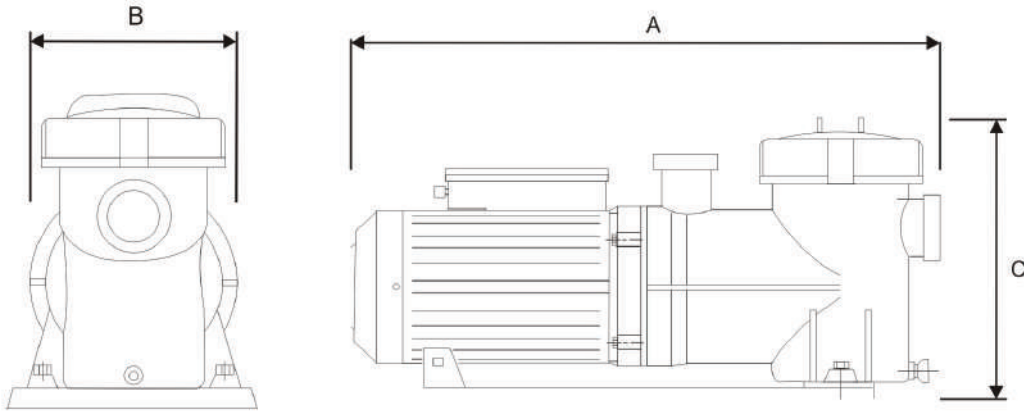
Liquid Temperature 5 - 50°C | Ambient Temperature up to 45°C | Maximum working pressure 2.5 Bar | Thermal Protection include.



Pumps

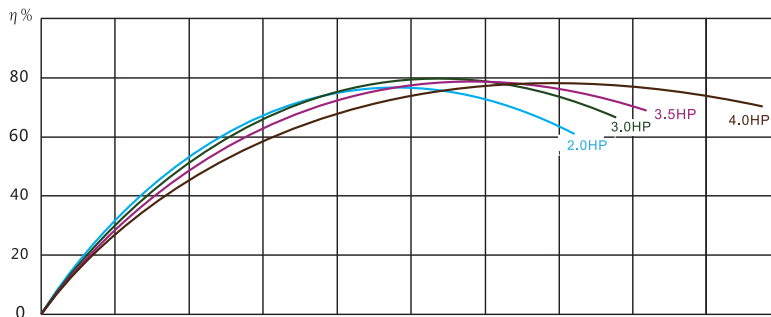
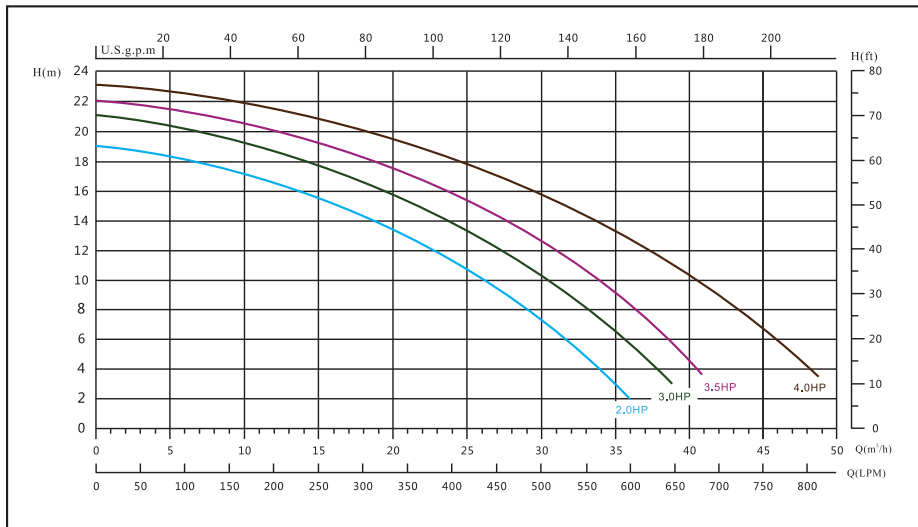


► Zumaro Series Pumps



Pumps

Performance Curve



► Casca Series Pump



Pumps

Technical Specification

Model	Q-max (m ³ /h)	H-max (m)	Horsepower (HP)	Rated Power (KW)	Phase	Voltage (V)	Connection size
00252110	9	8	0.33	0.26	1	220	1.5" 50mm
00252112	11	10.5	0.5	0.37	1	220	1.5" 50mm
00252113	13	11	0.75	0.55	1	220	1.5" 50mm
00252114	16.5	11.5	1.0	0.75	1	220	1.5" 50mm
00252115	19	12.5	1.2	0.9	1	220	1.5" 50mm

Casca Series Pumps

CASCA Series Pump is a Circulation Pump for Pools With High Reliability and Performance, Which Makes the Pump More Recognized in the Market. Mechanical Seal adopts Ceramic Carbon Material, Which is Resistant to High Temperature and dry Grinding. With 25,000 Strict Life- Span Test sand Powerful Impact Test. This Pump is Highly Recommended for its Great Performance and Reliable Quality.

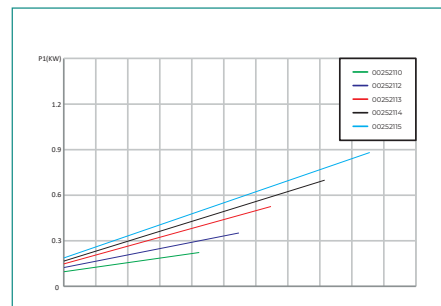
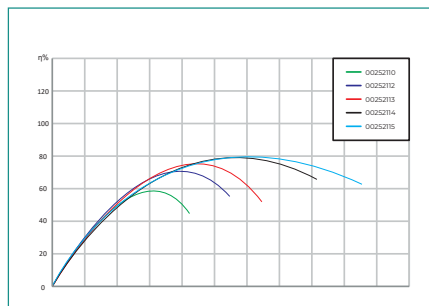
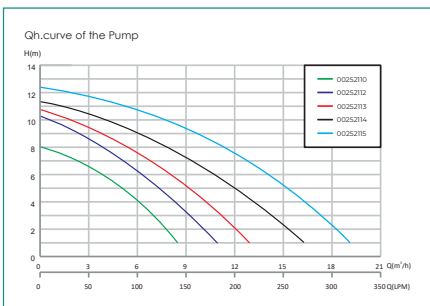
The Inlet or Outlet of the Pump with an External Thread, Which Can Connect with Metric or Imperial Pipes.

Low Noise: It Can lower than 67 DB. | Thermal Protection Included. | Liquid Temperature : 5 ~ 50°C (41 ~ 122°F |

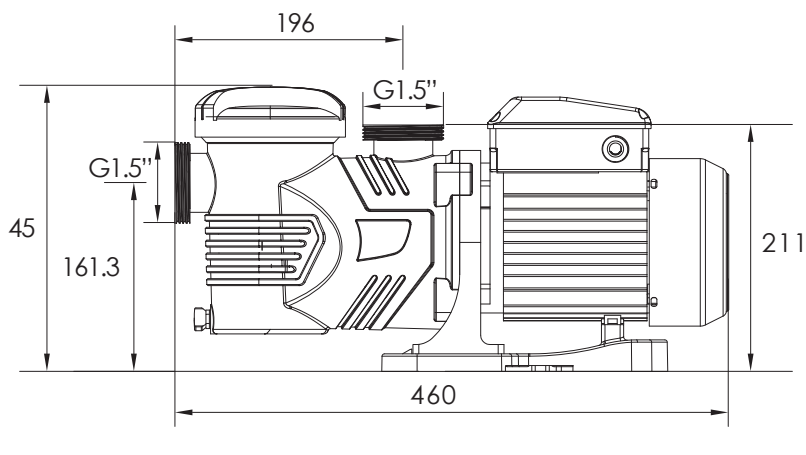
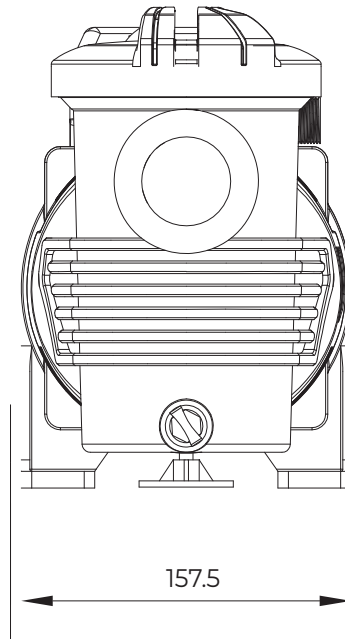
Ambient Temperature : Up to 40°C (104°F) | IPX5 Waterproof Standard. | The Pump Can Bear 25000 Times of Impact Test.

Excellent Performance and Reliable Quality. Single Phase: 220V/ 50Hz, 220V / 60Hz is Available on Request.

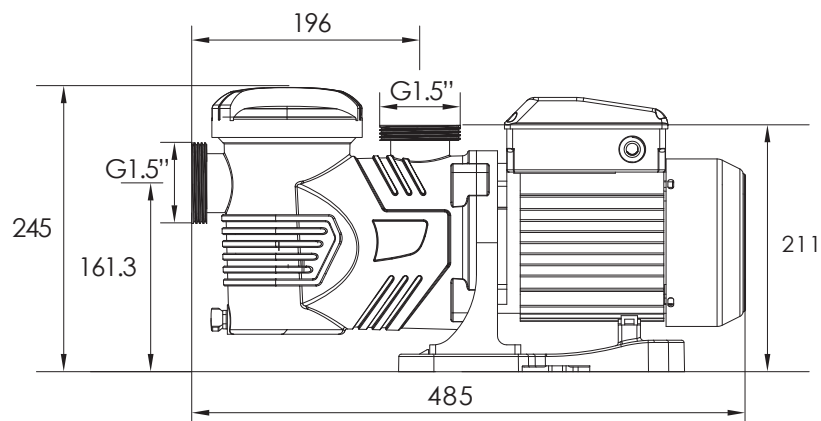
Performance Curve



► Casca Series Pump



00252110 / 00252112



00252113 / 00252114 / 00252115





► MAXI - Self- Priming Centrifugal Pump



Pumps



Technical Specification



Code	Type	Power			Head (m)										
		kW	HP	µF	Phase	Voltage	Amp	4	6	8	10	12	14	16	18
00282615	Maxi2-15	1.12	1.5	31.5	1	230	8.0	35.3	29.1	22.3	15.9	8.5	-	-	-
00282153	Maxi2-15	1.12	1.5	-	3	230/400	5.6/3.2	35.3	29.1	22.3	15.9	8.5	-	-	-
00282620	Maxi2-20	1.50	2	35.0	1	230	9.8	44.1	37.8	32.0	24.5	18.8	7.2	-	-
00282230	Maxi2-20	1.50	2	-	3	230/400	6.5/3.7	44.1	37.8	32.0	24.5	18.8	7.2	-	-
00282630	Maxi2-30	2.24	3	-	3	230/400	8.6/5.0	-	51.9	44.5	38.1	28.8	13.9	-	-
00282640	Maxi2-40	2.99	4	-	3	230/400	11.2/6.0	-	62.3	57.9	51.7	45.0	37.0	27.7	11.5

MAXI - Self- Priming centrifugal pump

Proteam Europa Maxi series pumps meet all requirements for pool pumping systems. Appropriate for medium and large pools as well as water games, spas counter current swimming sets. The big capacity of its strainer basket provides an efficient leaf trapping. Its easy handled transparent lid provides good visibility of the basket and simplifies the pump maintenance. Manufactured with materials highly resistant to corrosion and high quality mechanical seals, Maxi pumps are suitable for sea water use.

Materials

Pump body	Polypropylene 30% Fiberglass
Filter basket	Polypropylene
Shaft	Stainless Steel AISI 316
Mechanical Seal	Carbon + Resin - Ceramics
Impeller and diffuser	Noryl + 30% Fiberglass
Motor	3000 r.p.m
Insulation class	F
Waterproof	IP55

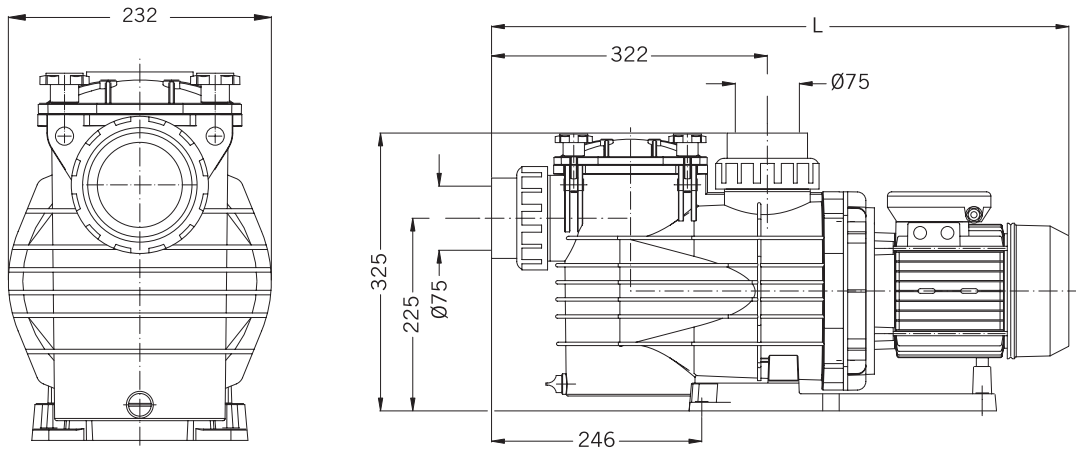
Pump Connection in and Out

Connections		Volume (m ³)	Weight (Kg)
Suction	Delivery		
2.5"	2.5"	0.058	16.0
2.5"	2.5"	0.058	16.0
2.5"	2.5"	0.058	16.5
2.5"	2.5"	0.058	16.5
2.5"	2.5"	0.058	20.5
2.5"	2.5"	0.058	22.5



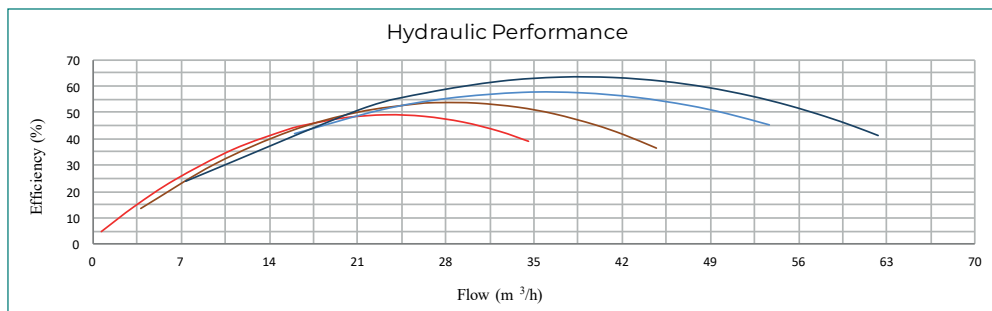
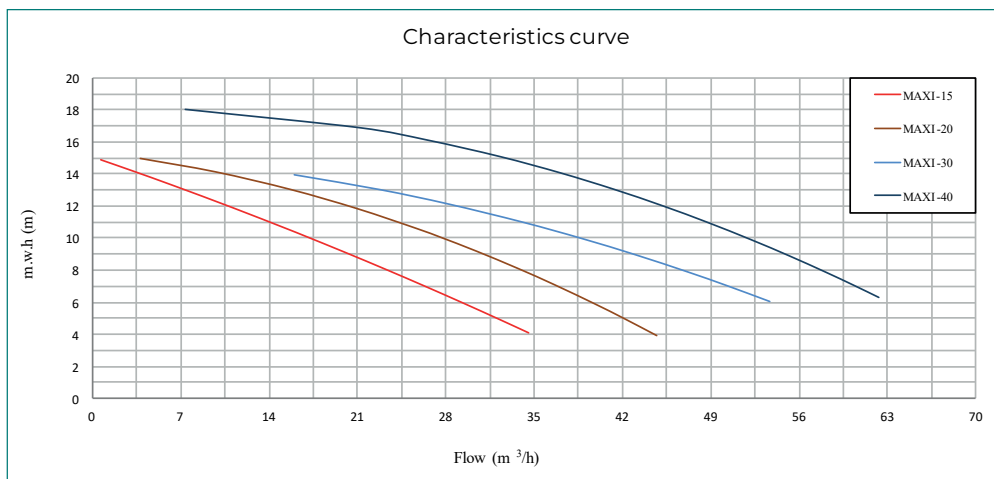
► MAXI - Self-Priming Centrifugal Pump

Pump Diagram



Pumps

Performance Curve





► Typhoon Series Variable Speed Pump



Pumps

Technical Specification

Code	Power		Phase	Voltage	Suction		Delivery		RPM			Amps
	kW	HP			900	1500	2500	2900	Flow rate m ³ /h			
00262820	1.5	2	1	230	63	63	7	12	21	25	6.5	
00262930	2.2	3	1	230	63	63	7	14	24	30	8.6	

Proteam Europa typhoon series variable speed pump is a valuable product, with the feature of energy saving, efficient, intelligent and fast and suitable for swimming pool, hot spring and water feature. It provides users with the best solution for energy saving, avoids the unnecessary consumption of energy and increase the operating efficiency to maximize the users operating cost.

Materials

Pump body	Polypropylene 30% Fiberglass
Filter basket	Polypropylene
Shaft	Stainless Steel AISI 316
Mechanical Seal	Carbon + Resin - Ceramics
Impeller and diffuser	Noryl + 30% Fiberglass
Motor	2900 r.p.m
Insulation class	F
Waterproof	IP55

Pump Dimension

Length A (mm)	Width B (mm)	Height C (mm)	Volume (m ³)	Weight (Kg)
630	195	290	58	20
630	195	290	58	20

Features

Over pressure protection. | Excellent performance and reliable quality. | Liquid temperature 5-50°C | Ambient Temperature up to 45°C | Maximum working pressure 2.5 bar | Standard water proof protection | Protection against electric shock. | Thermal protection included. | Single phase 230V/50Hz | 230V/60Hz, is available on request.

Energy Saving

Traditional pump operates at set, unchangeable speeds. Those speeds are almost always higher than required. As a result, they overpower the jobs they're assigned to do, which wastes energy. Typhoon series pump with built-in intelligent technology, can achieve variable speed operation, reducing up to 80% of the energy consumption.



► Typhoon Series Variable Speed Pump

High Efficiency

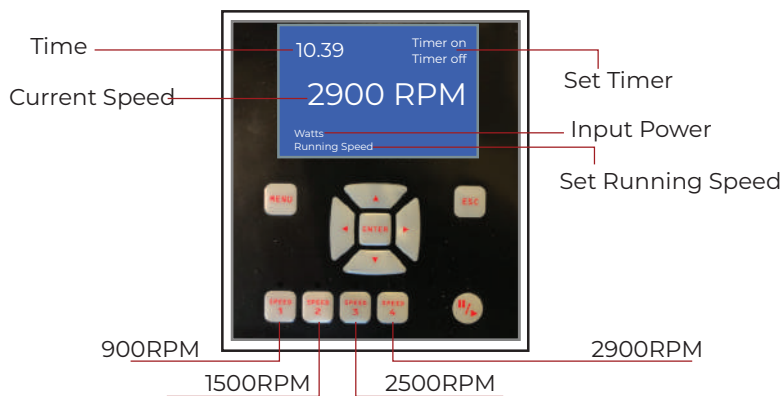
Typhoon series variable speed pump combines efficient motor with excellent internal geometric structure of the pump, making it a powerful, quite and reliable multi-purpose pump.

Application

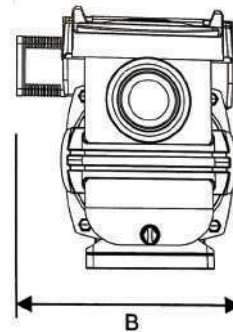
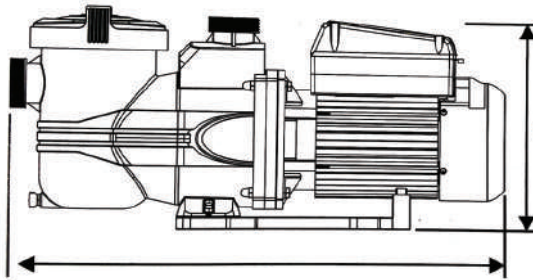
Typhoon series variable pump uses infinitely adjustable - speed intelligent frequency conversion technology. It is suitable for all types and size, pool and spa combination and ideal for water features such as waterfalls and fountains. Fully programmable with up to four preset speed and timer functions.

Pumps

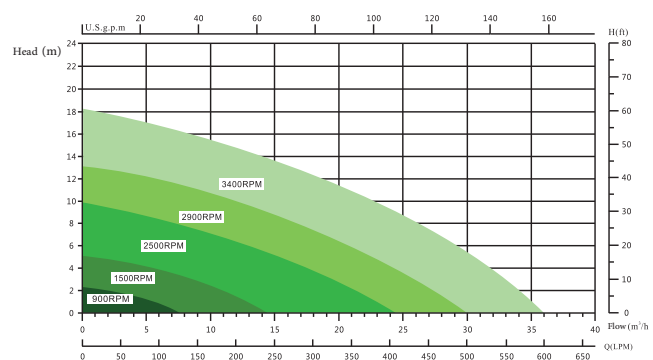
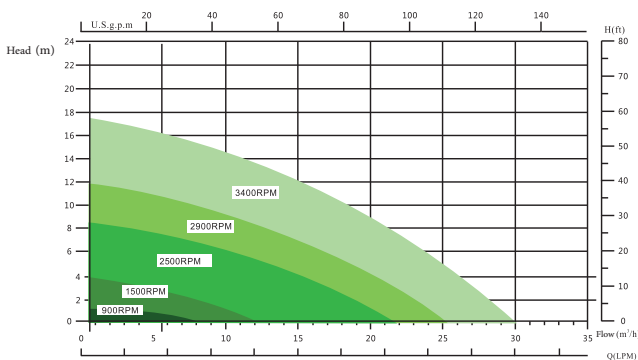
LED Smart Controller



Pump Diagram

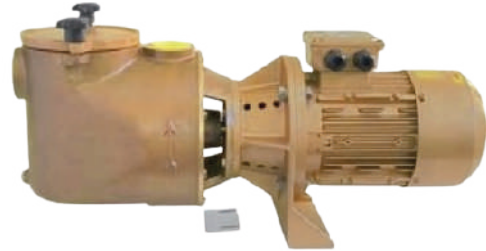


Performance Curve





► AF Series Self Priming Cast Iron Pump



Pumps

Description

The AF is a swimming pool pump with a strong resistance to wear thanks to the high quality of its materials. Manufactured fully in bronze on request for a use with sea water. Its open type impeller and self priming features (up to 6 meters) add to its design really helpful characteristics.

Materials

Pump body and diffuser	Cast iron (Bronze on request)
Filter basket	Polypropylene
Shaft	Stainless Steel AISI 304
Mechanical seal	Carbon + Resin - Ceramics
Impeller and diffuser	Opened in brass
Motor	3000 r.p.m.
Insulator class	F
Waterproof	IP55

Technical Specification

Code	Type		Power			Phase	Voltage	Ampere	Volume (m ³)	Weight (Kg)
	kW	HP	µF	µF	µF					
00292710	AF-3	0.75	1.0	20.0	1	230	6.5	0.067	26.5	
00292130	AF-3	0.75	1.0	-	3	400/230	2.0/3.4	0.067	26.5	
00292715	AF-4	1.12	1.5	31.5	1	230	8.7	0.067	30.5	
00292153	AF-4	1.12	1.5	-	3	400/230	2.8/4.8	0.067	30.5	
00292720	AF-5	1.50	2.0	35.0	1	230	10.5	0.067	35.8	
00292230	AF-5	1.50	2.0	-	3	400/230	3.5/6.0	0.067	35.8	
00292730	AF-7	2.24	3.0	-	3	400/230	5.0/8.6	0.067	40.5	

2	4	8	10	Head (m)			16	18	20	Connections	
				12	14	16				Suction	Delivery
Flow rate m ³ /h											
19.9	17.5	15.5	13.1	10.7	8.0	5.0	1.8	-	2/11"	2/11"	
19.9	17.5	15.5	13.1	10.7	8.0	5.0	1.8	-	2/11"	2/11"	
25.0	23.0	20.7	18.0	14.8	11.6	8.0	4.0	-	2/11"	2/11"	
25.0	23.0	20.7	18.0	14.8	11.6	8.0	4.0	-	2/11"	2/11"	
34.0	30.5	26.5	24.0	20.5	16.5	12.0	7.0	1.5	2"	2"	
41.0	30.5	26.5	24.0	20.5	16.5	12.0	7.0	1.5	2"	2"	
49.0	46.0	36.0	35.0	33.0	30.0	25.0	19.0	13.0	2"	2"	



► AF Series - Self-priming Cast Iron pump

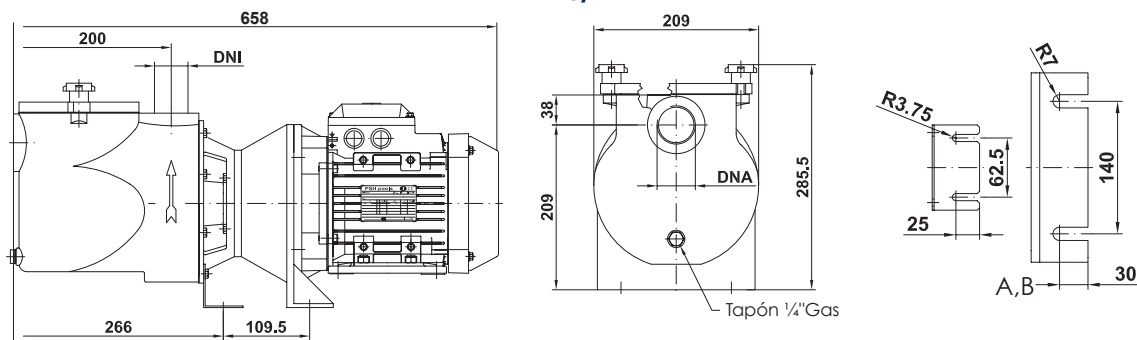
Pump Dimensions

Code	Dimensions (mm)								
	A	B	C	D	E	G	H1	H2	L
00292230	233	308	66	144	210	256	162	62	555
00292730	233	308	84	144	236	275	180	62	597

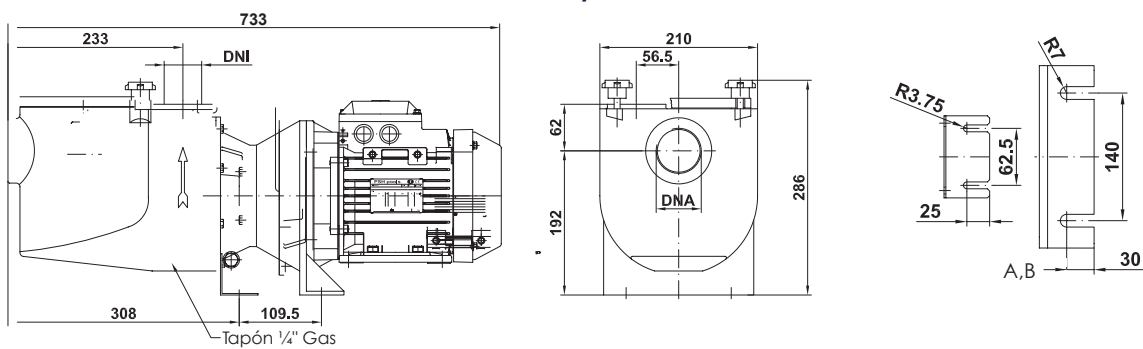
Code	Dimensions (mm)								
	A	B	C	D	E	G	H1	H2	L
00292710	200	266	66	144	209	256	180	36	492
00292715	200	266	66	144	209	256	180	36	517

Pumps

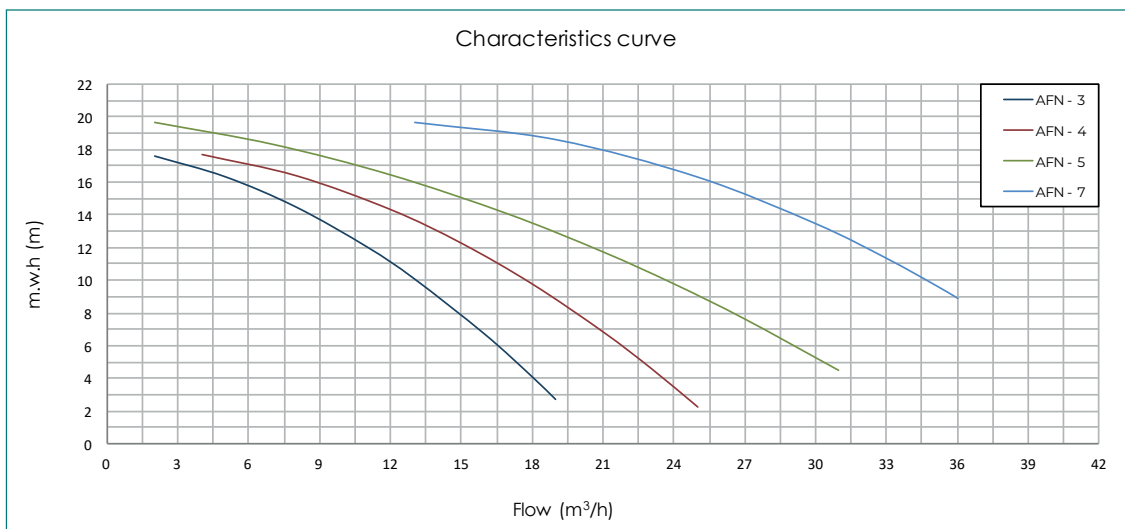
AFN 3/4



AFN 5/7



Performance Curve

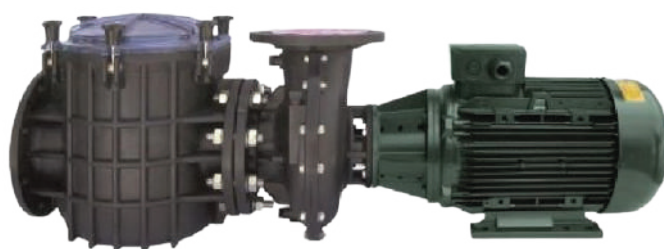




COMMERCIAL PUMPS



► Giant Centrifugal Plastic Pump



Pumps



Specification

GIANT is a centrifugal swimming pool pump, designed to offer high performance in water filtration of public swimming-pools. This pump is fitted with a high capacity pre-fitter with easy handled stainless steel basket. On demand manufactured with special mechanical seal for a use with sea water.

Materials

Pump body	Polypropylene 30% Fiberglass
Filter basket	Stainless Steel AISI 304
Shaft	Stainless Steel AISI 416
Mechanical Seal	Carbon + Resin - Ceramics
Impeller and diffuser	Polypropylene + 30% Fiberglass
Motor	2850 r.p.m
Waterproof	IP55

Technical Specification



Code	Type	kW	HP	Phase	Voltage	Ampere	Head (m)										Volume (m ³)	Weight (kg)	Connections	
							6	8	10	12	14	16	18	20	22	23			Suction DNI	Delivery DNI
00113017	N - 17	2.99	4.0	3	230/400	6.4/11.1	114.8	99.1	76.5	64.4	47.2	18.6	-	-	-	-	0.154	28.9	100	100
00113174	N - 17	2.99	4.0	3	400/700	6.4	114.8	99.1	76.5	64.4	47.2	18.6	-	-	-	-	0.154	28.9	100	100
00113118	N - 18	4.10	5.5	3	230/400	6.7/11.6	102.7	93.4	81.4	69.7	55.0	39.2	-	-	-	-	0.154	37.4	100	100
00113185	N - 18	4.10	5.5	3	400/700	6.7	102.7	93.4	81.4	69.7	55.0	39.2	-	-	-	-	0.154	37.4	100	100
00113119	N - 19	4.10	5.5	3	230/400	8.2/14.2	145.6	120.1	113.7	82.3	59.0	-	-	-	-	-	0.154	50.7	125	100
00113195	N - 19	4.10	5.5	3	400/700	8.2	145.6	120.1	113.7	82.3	59.0	-	-	-	-	-	0.154	50.7	125	100
00113120	N - 20	5.60	7.5	3	230/400	10.4/18.0	159.3	155.7	145.1	110.9	88.7	60.2	13.6	-	-	-	0.154	59.0	125	100
00113127	N - 20	5.60	7.5	3	400/700	10.4	159.3	155.7	145.1	110.9	88.7	60.2	13.6	-	-	-	0.154	59.0	125	100
00113121	N - 21	7.46	10.0	3	230/400	12.8/22.1	179.0	166.4	158.6	137.0	116.3	98.8	79.0	49.8	-	-	0.154	64.5	125	100
00113125	N - 21	7.46	10.0	3	400/700	12.8	179.0	166.4	158.6	137.0	116.3	98.8	79.0	49.8	-	-	0.154	64.5	125	100
00113221	N - 22	9.32	12.5	3	230/400	15.1/26.1	158.6	150.3	142.8	133.0	114.4	106.6	81.8	59.4	36.1	10.4	0.154	73.5	125	100
00113225	N - 22	9.32	12.5	3	400/700	15.1	158.6	150.3	142.8	133.0	114.4	106.6	81.8	59.4	36.1	10.4	0.154	73.5	125	100

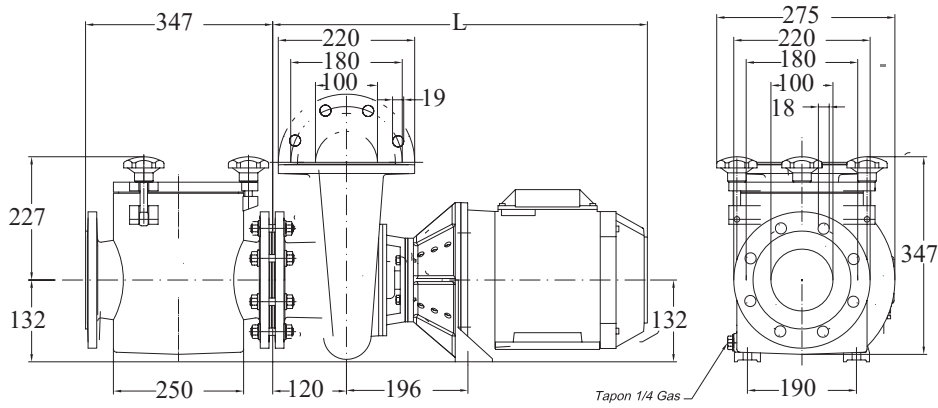
Dimensions (mm)

Type	Da	Ka	la	Di	Ki	Li	N ^o tal	A	B	C	D	E	F	G	H	L	Lf
N-17	220	180	18	220	180	19	8	120	196	-	190	275	250	347	132	584	347
N-18	220	180	18	220	180	19	8	120	196	-	190	275	250	347	132	606	347
N-19	250	210	18	220	180	19	8	120	196	-	190	275	250	347	132	606	347
N-20	250	210	18	220	180	19	8	120	292	140	216	312	250	360	132	724	347
N-21	250	210	18	220	180	19	8	120	292	140	216	312	250	360	132	724	347
N-22	250	210	18	220	180	19	8	120	292	140	216	312	250	360	132	724	347

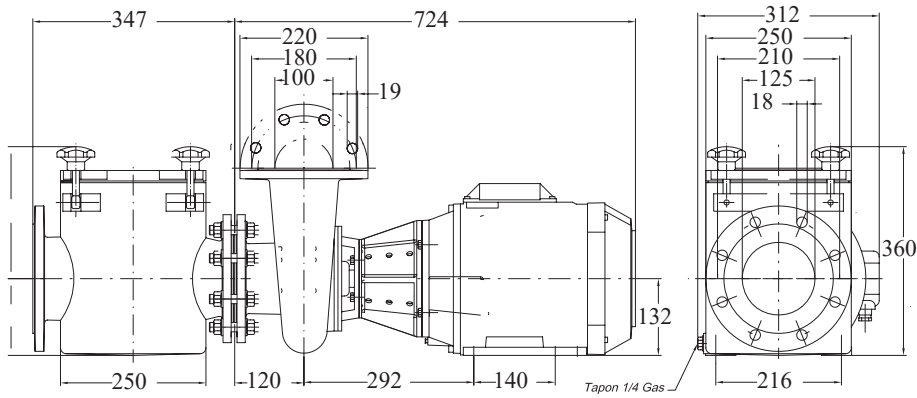


► Giant Centrifugal Plastic Pump

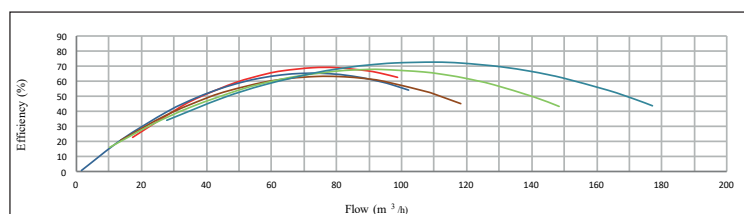
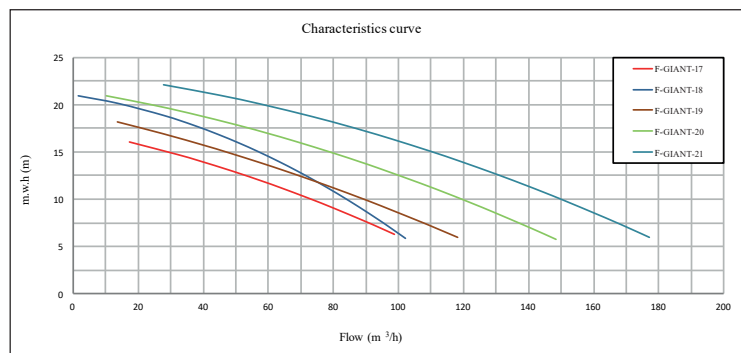
F-GIANT 17/18



F-GIANT 20/21/22



Performance Curve



► Roma Sreies Stainless Steel Pump



Pumps

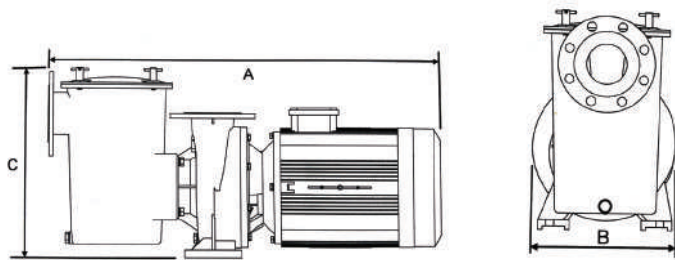


Specification

Proteam Europa ROMA series centrifugal swimming pump, designed to offer high performances in water filtration of public swimming pools. ROMA pump is fitted with a big capacity cast iron pre-filter with an easy access stainless steel basket. Manufactured fully in bronze on request for use with sea water.

Material

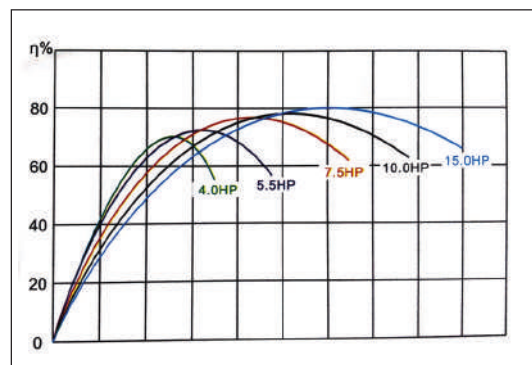
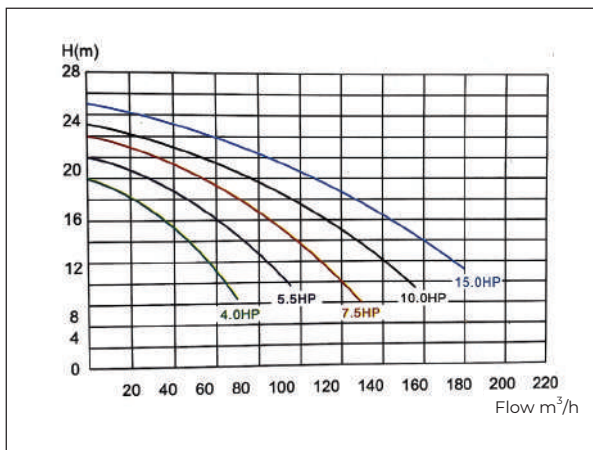
- Pump body Cast Iron. Bronze on demand.
- Filter basket Stainless Steel AISI 304
- Shaft Stainless Steel AISI 316
- Mechanica Seal Carbon + Resin - Ceramics
- Impeller Bronze on request
- Motor 3000 r.p.m
- Waterproof IP55



Technical Specification

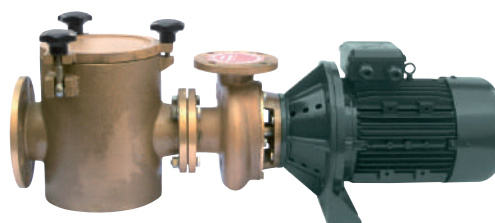
Code	HP	KW	Phase	Voltage (V)	Suction	Delivery	A (MM)	B (MM)	C (MM)
00272400	4	3	3	380	90	90	730	280	420
00272550	5.5	4	3	380	90	90	730	280	420
00272750	7.5	5.5	3	380	90	90	730	280	420
00272100	10	7.5	3	380	90	90	730	280	420
00272150	15	11	3	380	90	90	730	280	420

Performance Curve





► FDN Series Centrifugal Cast Iron Pump



Pumps

Specification

The FDN is a centrifugal swimming pump, designed to offer high performances in water filtration of public swimming pools. FDN pump is fitted with a big capacity cast iron pre-filter with an easy access stainless steel basket. Manufactured fully in bronze on request for use with sea water.

New Option FDN Black Series

Pump body	Cast Iron- Bronze on demand.
Filter basket	Stainless Steel AISI 304
Shaft	Stainless Steel AISI 316
Mechanical Seal	Carbon + Resin - Ceramics
Impeller	Bronze (FD-17/18/19/20/21/22) or Brass (FD-14/15/16)
Motor	3000 r.p.m
Waterproof	IP55

Technical Specification



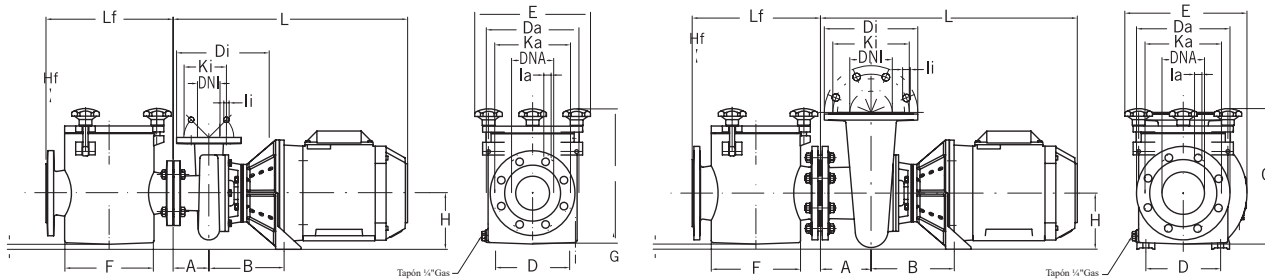
Code	Type	Power		UF	Phase	Voltage	Ampere	Connections	
		kW	HP					Suction DNA	Delivery DNI
00131614	N-14	1.50	2	-	3	230/400	6.9/4.0	80	55
00131615	N-15	2.24	3	-	3	230/400	8.8/5.1	80	55
00131616	N-16	2.99	4	-	3	230/400	11.4/6.6	80	55
00131663	N-16	2.99	4	-	3	400/700	6.6	80	55
00131617	N-17	2.99	4	-	3	230/400	10.7/6.2	100	100
00131673	N-17	2.99	4	-	3	400/700	6.2	100	100
00131618	N-18	4.10	5.5	-	3	230/400	11.6/6.7	100	100
00131683	N-18	4.10	5.5	-	3	400/700	6.7	100	100
00131619	N-19	4.10	5.5	-	3	230/400	14.2/8.2	125	100
00131693	N-19	4.10	5.5	-	3	400/700	8.2	125	100
00131620	N-20	5.60	7.5	-	3	230/400	8.0/10.4	125	100
00131603	N-20	5.60	7.5	-	3	400/700	10.4	125	100
00131621	N-21	7.46	10	-	3	230/400	22.1/12.8	125	100
00131613	N-21	7.46	10	-	3	400/700	12.8	125	100
00131623	N-22	9.32	12.5	-	3	230/400	26.1/15.1	125	100
00131622	N-22	9.32	12.5	-	3	400/700	15.1	125	100



► FDN Series Centrifugal Cast Iron Pump

Pumps

Head (m)											Volume (m ³)	Weight (kg)
6	8	10	12	14	16	18	20	22	23			
39.7	34.6	30.4	22.9	18.1	2.7	-	-	-	-	0.112	53.5	
46.7	41.8	38.2	32.7	24.6	6.9	-	-	-	-	0.112	55.5	
53.0	50.8	45.4	42.4	36.6	27.2	7.6	-	-	-	0.112	60.4	
53.0	50.8	45.4	42.4	36.6	27.2	7.6	-	-	-	0.112	60.4	
114.8	99.1	76.5	64.4	47.2	18.6	-	-	-	-	0.154	68.9	
114.8	99.1	76.5	64.4	47.2	18.6	-	-	-	-	0.154	68.9	
102.7	93.4	81.4	69.7	55.9	39.2	-	-	-	-	0.154	77.7	
102.7	93.4	81.4	69.7	55.9	39.2	-	-	-	-	0.154	77.7	
145.6	120.1	113.7	82.3	70.0	42.4	-	-	-	-	0.154	90.7	
145.6	120.1	113.7	82.3	70.0	42.4	-	-	-	-	0.154	90.7	
159.3	155.7	145.1	110.9	88.7	60.2	13.6	-	-	-	0.154	99.0	
159.3	155.7	145.1	110.9	88.7	60.2	13.6	-	-	-	0.154	99.0	
179.0	166.4	158.6	137.0	116.3	98.8	79.0	49.8	-	-	0.154	104.5	
179.0	166.4	158.6	137.0	116.3	98.8	79.0	49.8	-	-	0.154	104.5	
158.6	150.3	142.8	133.0	114.4	106.6	81.8	59.4	36.1	10.4	0.154	113.5	
158.6	150.3	142.8	133.0	114.4	106.6	81.8	59.4	36.1	10.4	0.154	113.5	

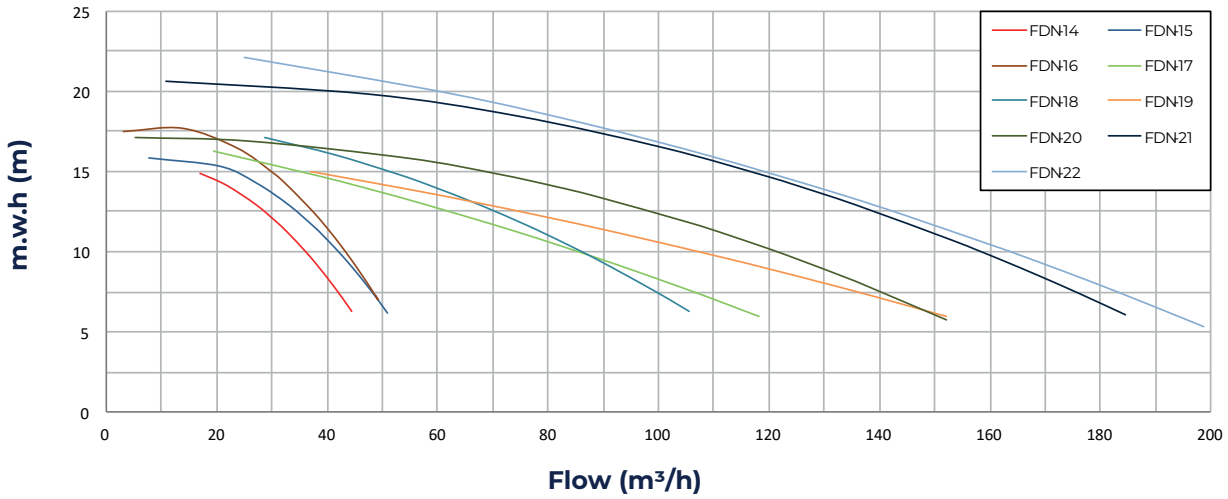


Type	Dimensions (mm)																	
	Da	Ka	la	N ^o tal	Di	Ki	Li	N ^o tal	A	B	C	D	E	F	G	H	L	Lf
N-14	200	160	18	8	152	125	14	4	82	172	-	140	271	210	319	132	491	300
N-15	200	160	18	8	152	125	14	4	82	172	-	140	271	210	319	132	491	300
N-16	200	160	18	8	152	125	14	4	82	182	-	190	271	210	319	132	533	300
N-17	200	180	18	8	220	180	19	8	120	196	-	190	288	210	320	132	584	300
N-18	200	180	18	8	220	180	19	8	120	196	-	190	288	210	320	132	606	300
N-19	200	180	18	8	220	180	19	8	120	196	-	190	275	250	347	132	606	347
N-20	200	210	18	8	220	180	19	8	120	292	140	216	312	250	360	132	724	347
N-21	200	210	18	8	220	180	19	8	120	292	140	216	312	250	360	132	724	347
N-22	200	210	18	8	220	180	19	8	120	292	140	216	312	250	360	132	724	347

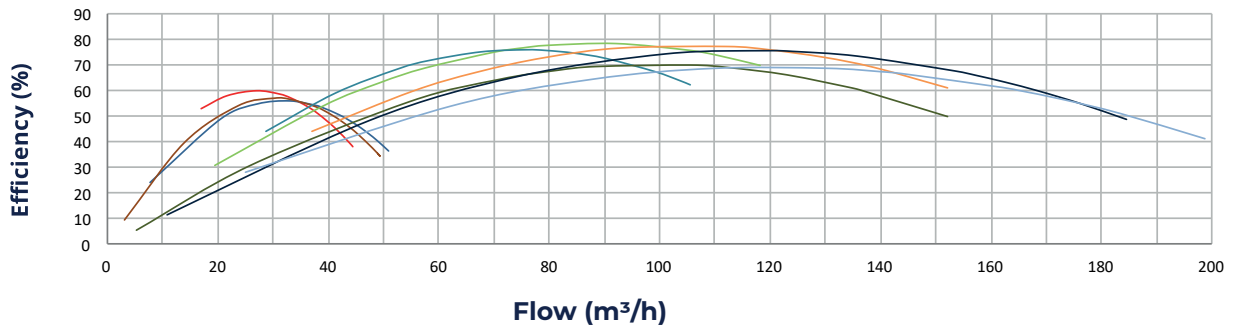


► FDN Series Centrifugal Cast Iron Pump

Characteristics curve

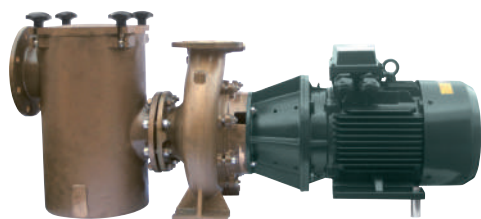


Hydraulic Performance





► FDN Series Centrifugal Cast Iron Pump



Pumps



Specification

The FDN-H - series is a centrifugal pump with an easy accessed strainer of big capacity, designed for public pools, competition pools and spas. Its design makes it particularly silent and is the perfect choice for use in big public swimming pools. Manufactured fully in bronze on request for use with sea water.

Materials

Pump body	Cast Iron - Bronze on demand.
Filter basket	Stainless Steel AISI 304
Shaft	Stainless Steel AISI 316
Mechanical seal	Carbon + Resin - Ceramics
Motor	1450 r.p.m.
Impeller	GG25 Cast Iron, Bronz on demand
Waterproof	IP55

Technical Specification

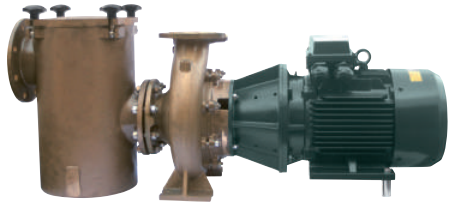
Code	Type	Power		Power			Connections	
		kW	HP	Phase	Voltage	Ampere	Suction DNA	Delivery DNI
00151325	325H	1.50	2.0	3	230/400	6.5/3.8	100	50
00151251	325H	1.50	2.0	3	400/700	3.8	100	50
00151326	326H	2.24	3.0	3	230/400	8.1/4.7	100	50
00153263	326H	2.24	3.0	3	400/700	4.7	100	50
00151274	127.1H	2.99	4.0	3	230/400	11.4/6.6	100	80
00151271	127.1H	2.99	4.0	3	400/700	6.6	100	80
00151281	128.1H	4.10	5.5	3	230/400	13.3/7.7	100	80
00151285	128.1H	4.10	5.5	3	400/700	7.7	100	80
00151297	129.1H	5.60	7.5	3	230/400	20.2/11.7	125	100
00151329	129.1H	5.60	7.5	3	400/700	11.7	125	100
00151301	130.1H	7.46	10.0	3	230/400	25.4/14.7	125	100
00151310	130.1H	7.46	10.0	3	400/700	14.7	125	100
00151312	123H	7.46	10.0	3	230/400	24.9/14.4	150	125
00151323	123H	7.46	10.0	3	400/700	14.4	150	125
00151241	124H	9.32	12.5	3	230/400	25.6/14.8	150	125
00151244	124H	9.32	12.5	3	400/700	14.8	150	125
00131251	125H	9.32	12.5	3	230/400	28.2/16.3	150	125
00151252	125H	9.32	12.5	3	400/700	16.3	150	125
00151261	126H	11.19	15.0	3	230/400	36.6/21.2	150	125
00151265	126H	11.19	15.0	3	400/700	21.2	150	125
00151231	131H	9.32	12.5	3	230/400	30.9/17.9	150	100
00151311	131H	9.32	12.5	3	400/700	17.9	150	100
00151321	132H	11.19	15.0	3	230/400	39.6/22.9	150	100
00131315	132H	11.19	15.0	3	400/700	22.9	150	100



Pumps



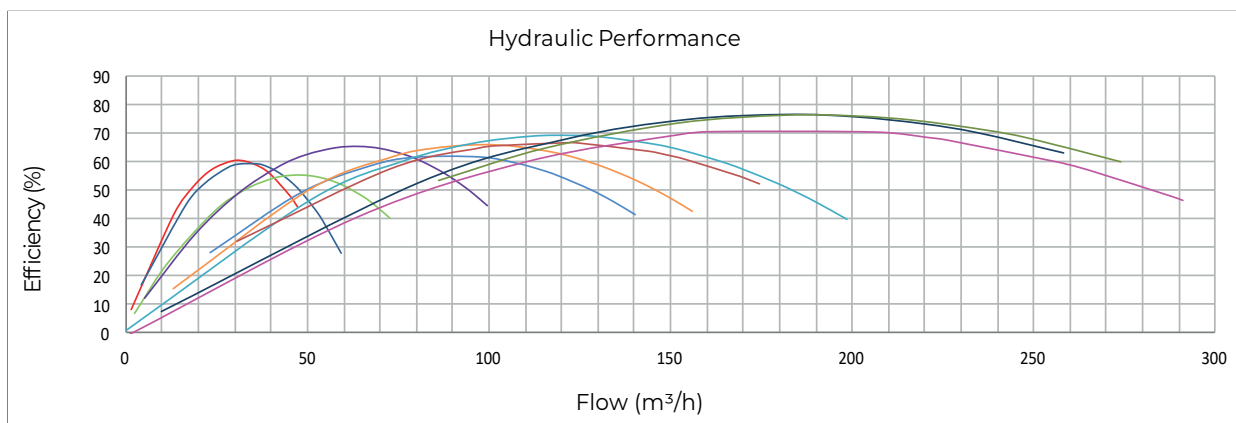
► FDN Series Centrifugal Cast Iron Pump



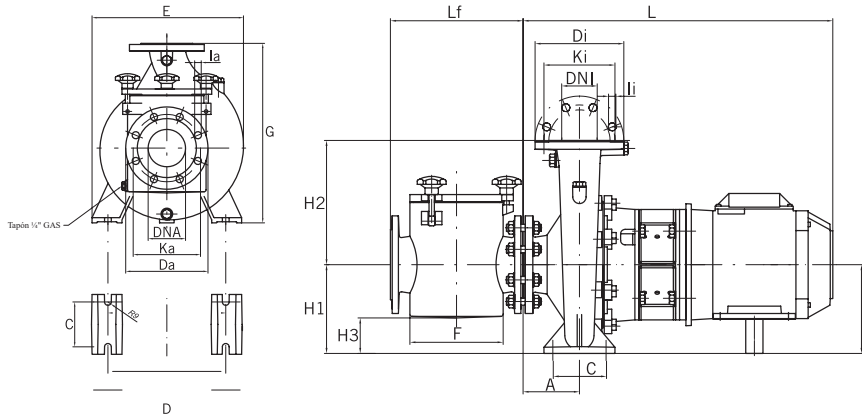
Pumps

Technical Specification

		Head (m)								Volume (m ³)	Weight (kg)
6	8	10	12	14	16	18	20	21			
Flow rate m ³ /h											
44.5	39.0	32.3	24.5	15.1	-	-	-	-	0.133	84.2	
44.5	39.0	32.3	24.5	15.1	-	-	-	-	0.133	84.2	
51.2	45.1	39.7	34.3	26.2	15.8	-	-	-	0.133	89.2	
51.2	45.1	39.7	34.3	26.2	15.8	-	-	-	0.133	89.2	
83.9	75.4	61.7	48.6	33.9	12.7	-	-	-	0.386	103.7	
83.9	75.4	61.7	48.6	33.9	12.7	-	-	-	0.386	103.7	
97.4	86.9	77.9	66.8	55.3	37.1	18.6	-	-	0.386	111.2	
97.4	86.9	77.9	66.8	55.3	37.1	18.6	-	-	0.386	111.2	
121.6	106.6	96.1	81.4	65.1	36.4	4.8	-	-	0.386	143.4	
121.6	106.6	96.1	81.4	65.1	36.4	4.8	-	-	0.386	143.4	
130.1	123.9	115.2	106.4	93.9	79.5	55.0	15.5	-	0.386	153.9	
130.1	123.9	115.2	106.4	93.9	79.5	55.0	15.5	-	0.386	153.9	
227.7	200.1	165.0	111.5	9.1	-	-	-	-	0.386	220.9	
227.7	200.1	165.0	111.5	9.1	-	-	-	-	0.386	220.9	
227.9	201.2	165.4	117.1	18.8	-	-	-	-	0.386	219.4	
227.9	201.2	165.4	117.1	18.8	-	-	-	-	0.386	219.4	
241.6	216.1	182.9	139.8	80.1	-	-	-	-	0.386	228.1	
241.6	216.1	182.9	139.8	80.1	-	-	-	-	0.386	228.1	
-	-	239.6	211.3	179.6	111.7	0.1	-	-	0.386	261.1	
-	-	239.6	211.3	179.6	111.7	0.1	-	-	0.386	261.1	
-	-	148.1	132.8	120.6	101.8	79.7	2.5	-	0.386	213.4	
-	-	148.1	132.8	120.6	101.8	79.7	2.5	-	0.386	213.4	
-	-	169.0	156.4	144.7	129.3	111.1	78.8	26.9	0.386	243.8	
-	-	169.0	156.4	144.7	129.3	111.1	78.8	26.9	0.386	243.8	



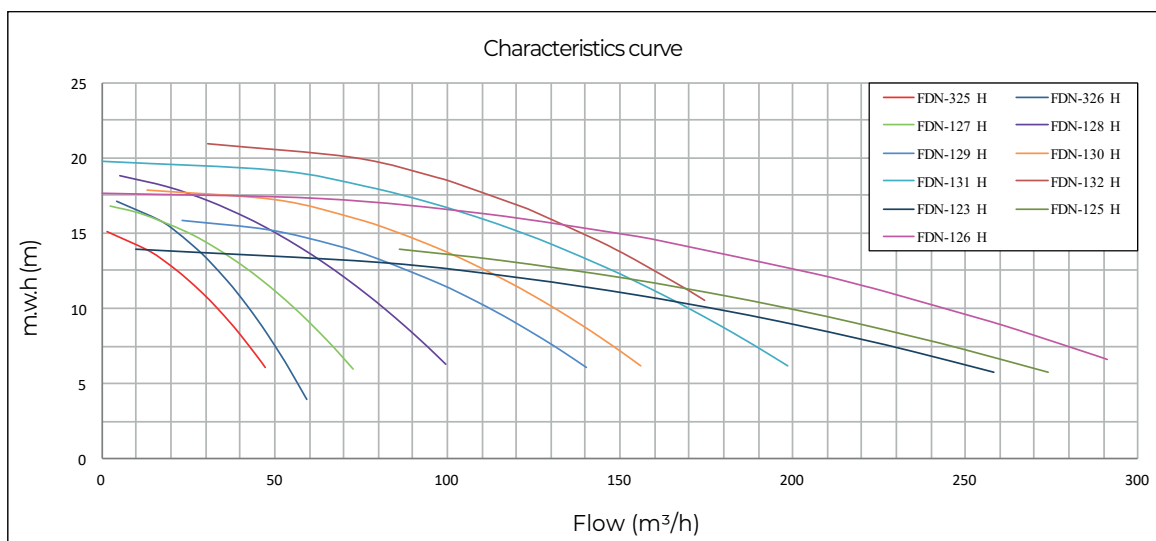
► FDN Series Centrifugal Cast Iron Pump



Pumps

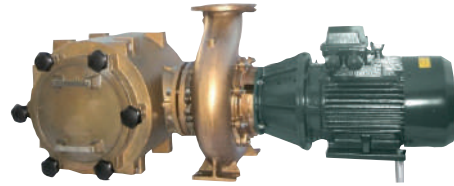
Pump Dimension

Code	Dimensions (mm)																			
	Da	Ka	la	N ⁰ tal	Di	Ki	Li	N ⁰ tal	A	C	D	E	F	G	H	H1	H2	H3	L	Lf
00151325/251	220	180	19	8	165	125	19	4	100	95	250	335	210	405	180	180	225	60	470	298
00151326/263	220	180	19	8	165	125	19	4	100	95	250	335	210	405	180	180	225	60	601	298
00151274/271	220	180	19	8	200	160	19	4	125	120	315	405	210	480	200	200	280	80	641	298
00151281/285	220	180	19	8	200	160	19	4	125	120	315	405	210	480	200	200	280	80	641	298
00151297/329	250	210	19	8	220	180	19	8	140	120	315	430	250	505	225	225	280	93	801	345
00151301/310	250	210	19	8	220	180	19	8	140	120	315	430	250	505	225	225	280	93	801	345
00151312/323	285	240	23	8	250	210	19	8	140	120	315	485	328	605	250	441	163	10	801	445
00151241/244	285	240	23	8	250	210	19	8	140	120	315	485	328	605	250	441	163	10	801	445
00151251/252	285	240	23	8	250	210	19	8	140	120	315	485	328	605	250	441	163	10	801	445
00151261/265	285	240	23	8	250	210	19	8	140	120	315	485	328	605	250	441	163	10	921	445
00151231/311	285	240	23	8	220	180	19	8	140	120	315	430	328	505	225	416	88	-15	801	445
00151321/315	285	240	23	8	220	180	19	8	140	120	315	430	328	505	225	416	88	-15	921	445





► FDN HV Series Cast iron Pumps



Pumps

Specification

The adaptable strainer of the FDN-HV pump allows the option of a vertical assembly with reduced space requirement in big pools installations, water parks etc. Its special design converts the FDN-HV into the most silent pump of the market. Manufactured fully in bronze on request for use with sea water.

Materials

Pump body and diffuser	Cast iron - Bronze on request
Filter basket	Stainless Steel AISI 304
Shaft	Stainless Steel AISI 304
Mechanical Seal	Carbon + Resin - Ceramics
Impeller	GG25 cast iron. Bronze on demand
Motor	1450 r.p.m.
Waterproof	IP55

Technical Specification

Code	Type	Power			Connections			
		kW	HP	Phase	Voltage	Ampere	Suction DNI	Delivery DNI
FDN00133	133 HV	15	3	20.0	230/400	44.6/25.8	250	125
FDN00233	133HV	15	3	20.0	400/700	25.8	250	125
FDN00134	134HV	19	3	25.0	230/400	60.8/35.2	250	125
FDN00234	134HV	19	3	25.0	400/700	35.2	250	125
FDN00135	135HV	22	3	30.0	230/400	74.3/43.0	300	125
FDN00235	135HV	22	3	30.0	400/700	43.0	300	125
FDN00136	136HV	30	3	40.0	230/400	96.4/55.8	300	125
FDN00236	136HV	30	3	40.0	400/700	55.8	300	125
FDN00137	137HV	37	3	50.0	230/400	110.5/64.0	300	125
FDN00237	137HV	37	3	50.0	400/700	64.0	300	125

Head (m)										Volume (m ³)	Weight (kg)
10	12	14	16	18	20	22	23	24			
Flow rate m ³ /h											
330.4	306.0	266.4	220.7	162.4	-	-	-	-	0.718	318.5	
330.4	306.0	266.4	220.7	162.4	-	-	-	-	0.718	318.5	
375.4	346.7	327.2	296.7	244.1	183.5	98.6	-	-	0.718	334.5	
375.4	346.7	327.2	296.7	244.1	183.5	98.6	-	-	0.718	334.5	
513.4	453.6	403.7	362.1	250.1	69.0	-	-	-	0.718	361.0	
513.4	453.6	403.7	362.1	250.1	69.0	-	-	-	0.718	361.0	
580.0	557.3	518.7	475.3	410.2	352.6	146.2	33.2	-	0.718	387.0	
580.0	557.3	518.7	475.3	410.2	352.6	146.2	33.2	-	0.718	387.0	
550.0	530.0	480.0	445.0	380.0	325.0	222.0	168.0	84.0	0.718	429.0	
550.0	530.0	480.0	445.0	380.0	325.0	222.0	168.0	84.0	0.718	429.0	



Pumps

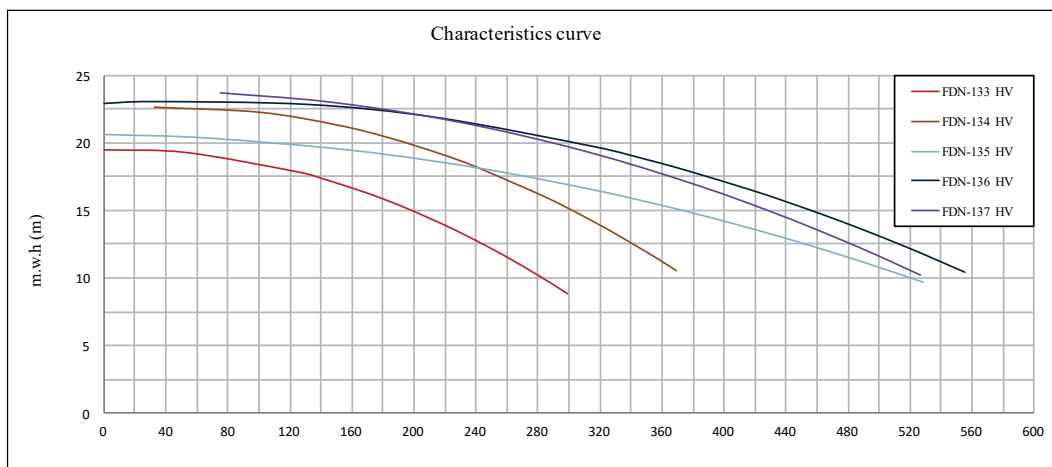
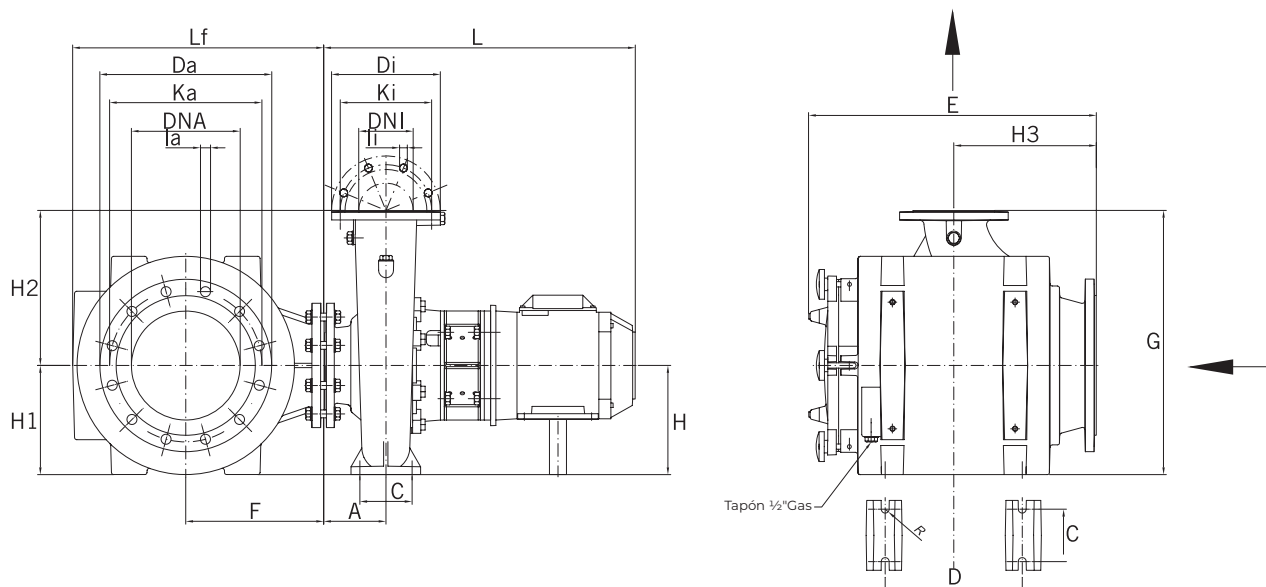


► FDN HV Series Cast iron Pumps

Pump Dimensions

Code	Dimensions (mm)																		
	Da	Ka	la	N ^o tal	Di	Ki	Li	N ^o tal	A	C	D	E	G	H	H1	H2	H3	L	Lf
FDN00133	395	350	23	12	250	210	19	8	140	120	315	665	605	250	250	355	328	963	570
FDN00134	395	350	23	12	250	210	19	8	140	120	315	665	605	250	250	355	328	921	570
FDN00135	445	400	23	12	280	240	23	8	160	150	400	665	655	280	280	375	328	-	570
FDN00136	445	400	23	12	280	240	23	8	160	150	400	665	655	280	280	375	328	1071	570
FDN00137	445	400	23	12	280	240	23	8	160	150	400	665	655	280	280	375	328	1142	570

Pumps





► Premier - SS Submersible Pumps, Clean Water

Pumps



Application

Especially designed for emptying of swimming pools and draining rainwater in basement and cellars.

Characteristics

Motor casing and exterior housing of the pump in stainless steel AISI 304, turbine, diffuser and suction grill in Noryl - Motor spindle in stainless steel AISI 303. Mechanical seal in silica carbide and oil bath and retainer seal. Pump body, motor casing, impeller and suction grille in stainless steel AISI 304 - Motor spindle in AISI 303. Mechanical seal in silica carbide in oil bath and retainer seal.

Motor

Single-phase motor with built-in thermal protector. Motor in oil bath. Max temperature of Pumped liquid 50° C.
 Ø Solids PREMIER 35-65 = 3mm.
 Ø Solids PREMIER 80 = 10 mm.

Technical Specification

Code	CL 500S	CL 750S	CL 1000S	CL 1300S
Capacity	0.5hp	0.75hp	1.0hp	1.3hp
Vol & Fre	230v/50Hz	230v/50Hz	230v/50Hz	230v/50Hz
Max. pump head	6.3m	7.5m	8.5m	11.5m
Max .pump rate	8000l/h	9000L/h	11000L/h	13500L/h
Max submersible depth	6m	6m	7m	7m
Max grain size	5mm	5mm	5mm	5mm
Max pressure	0.75bar	0.85bar	0.9bar	0.9bar
Dia of connecting pipe	1"G1"1'-1/4"G1-1/4"	1"G1"1'-1/4"G1-1/4"	1"G1"1'-1/4"G1-1/4"	1"G1"1'-1/4"G1-1/4"
Cable specification	HO5RN- F3G1.0mm2	HO5RN- F3G1.0mm2	HO5RN- F3G1.0mm2	HO5RN- F3G1.0mm2
Length of cable	10m	10m	10m	10m
Max.medium temperature	35°C	35°C	35°C	35°C





► Plastic Submersible Pumps, Clean Water



Pumps



Application

Especially designed for emptying of swimming pools and draining rainwater in basement and cellars.

Characteristics

Motor casing and exterior housing of the pump in stainless steel AISI 304, turbine, diffuser and suction grille in Noryl - Motor spindle in stainless steel AISI 303. Mechanical seal in silica carbide and oil bath and retainer seal. Pump body, motor casing, impeller and suction grille in stainless steel AISI 304 - Motor spindle in AISI 303. Mechanical seal in silica carbide in oil bath and retainer seal.

Motor

Single-phase motor with built-in thermal protector. Motor in oil bath. Max temperature of Pumped liquid 50° C.
 Ø Solids 35-65 = 3MM.
 Ø Solids 80 = 10 mm.

Technical Specification

Code	CL 500	CL 750	CL 1000	CL 1300
Capacity	0.5hp	0.75hp	1.0hp	1.3hp
Vol& Fre	230v/50Hz	230v/50Hz	230v/50Hz	230v/50Hz
Max. pump head	7m	8m	9m	13m
Max .pump rate	9000L/h	12000L/h	14000L/h	15000L/h
Max submersible depth	7m	7m	7m	7m
Max grain size	5mm	5mm	5mm	7mm
Max pressure	0.85bar	0.85bar	0.95bar	0.95bar
Dia of connecting pipe	1"G1"1'-1/4"G1-1/2"	1"G1"1'-1/4"G1-1/2"	1"G1"1'-1/4"G1-1/2"	1"G1"1'-1/4"G1-1/2"
Cable specification	HO5RN- F3G1.0mm2	HO5RN- F3G1.0mm2	HO5RN- F3G1.0mm2	HO5RN- F3G1.0mm2
Length of cable	10m	10m	10m	10m
Max.medium temperature	35°C	35°C	35°C	35°C





► Solar Pumps



Pumps



Application

Pump specially designed for pool water filtration to be directly connected to solar panel. Optional module for electrical grid switching available.

Advantage

Energetic efficiency achieved due to photovoltaic panels | Variable speed operation depending on instant solar radiation. | Electronic configuration improves duty point. | Low noise operation IP55 for humid and dusty environments. | Powered either by solar panels or standard AC/DC with Optional module. | Good mechanical integration of MOTOR & INVERTER.

INTEGRATED INVERTER Built in aluminium with an independent ventilation system to guarantee Excellent thermal Performance

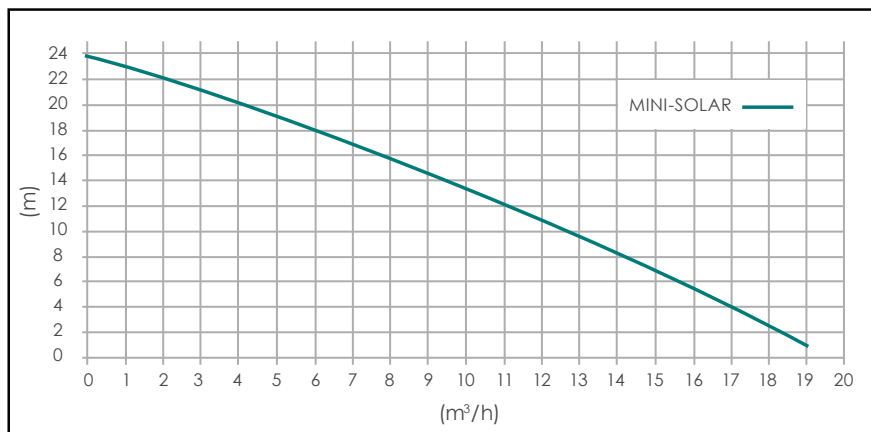
SYNCHRONOUS THREE PHASE MOTOR - With high efficiency permanent magnets.

Pump features

Charactristics curve						
Head(m)	4	6	8	10	12	14
Flow(m ³ /h)	17,0	15,5	14,0	12,5	11,0	9,5

Materials

Pump Body polypropylene +30% fiberglass
 Impeller & diffuser Noryl® + 30% fiberglass
 Filter basket Polypropylene
 Shaft: stainless steel AISI 316L.
 Mechanical steel Carbon + resin - ceramics





► Solar Pumps



Connections

IN - OUT 1"1/2 x 1"1/2
3 pieces union Ø50mm included

Control system

Connected to solar panels, the MPPT control system maximizes electrical power drawn from the panels and therefore the amount of pumped water.

Solar radiation < -----> Rotation speed < -----> water flow

Minimum working point controlled to ensure the minimum flow.

Built in protective against
Over voltage and under voltage
Over current and no load
Dry running
overheating

EMC compatibility for residential environment
Integrated PFC (PF 1) to meet ENG61000-3-2
Integrated input filter for category C1
(EN61800-3) , class B (EN55011)

Electrical features
Rated frequency 48-62 HZ
Input current Max 11A P.F 1
Input Voltage 90-400 VDC ,1x90 -265VAC
Max . Water temperature 40°C
Max .altitude at rated current : 1000m
Protection IP55 (NEMA - 4)
Motor insulation class F
Digital output settings N .O or N.C :
Motor run signal
Alarm signal

Analog Inputs (10 or 15 VDC)
4-20mA
4-20mA
0-10VDC
0-10VDC

RS485 MODBUS RTU
Mobile APP and Bluetooth connection:
Used to set and motor different parameters such as
maximum frequency , pressure
values and START/STOP the VFD.





► New Contra - Counter Current Pump



Pumps

Technical Specification

Type	Power		230V A	400V A	2	4	6	8	10	12	14	16	Weight
	Kw	HP											
New contra -3	2,2	3	15	4,9	70	62	54	46	34	17			20,5
New contra -4	3	4		6,4	84	78	72	65	58	49	37	19	23,5
New contra-5	4	5,5		8,3	96	90	82	76	69	60	50	36	25,5

Type	A	B	C	D	E	F	G	H	I	L
New contra -3	370	156	75	260	75	77	64	319	168	420
New contra -4	410	156	75	260	75	77	64	319	168	450
New contra-5	410	156	75	260	75	77	64	319	168	450

Specification

The new contra pump is designed for swimming in pools with reduced dimensions. Thanks to its high flow rate, the new contra pumps allows an upstream in a static way. Its exclusive nozzle system provides easier regulation of flow and the current direction adapted to the needs of the user. Maximum flow rate 100m³/h

Materials

Pump body and diffuser Polypropylene + 30% GF. | Impeller Bronze or cast iron with cathoporesis.
 Shaft Stainless steel AISI 316. | Mechanical steel Carbon + Resin - Ceramics.
 Motor 2.900 rpm. | Waterproof IP55. | Thermal protection Included in single phase models.

Counter current Nozzle

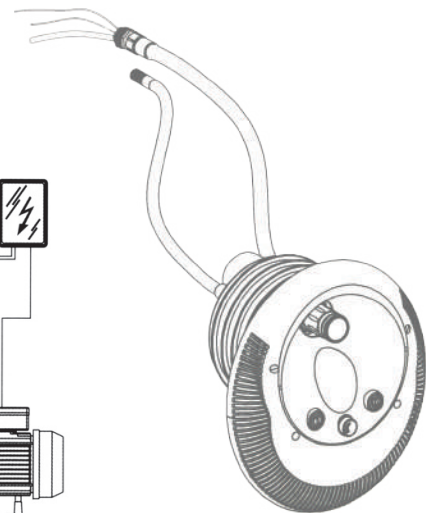
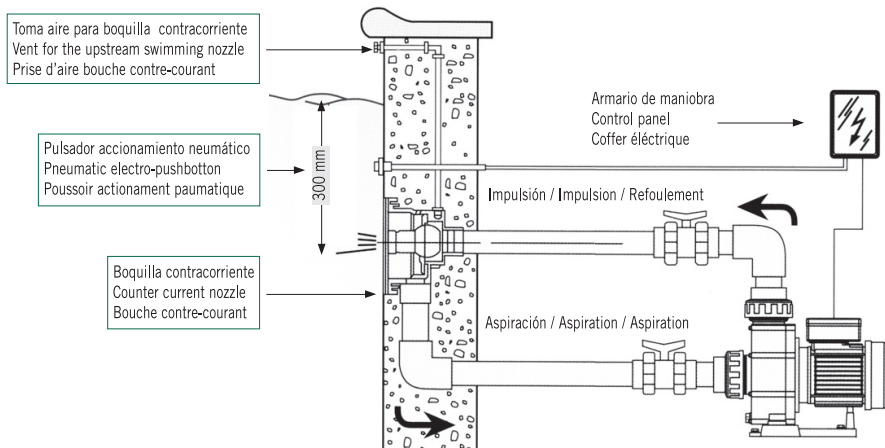
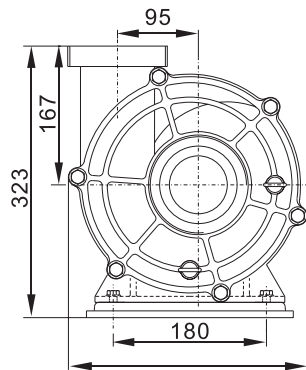
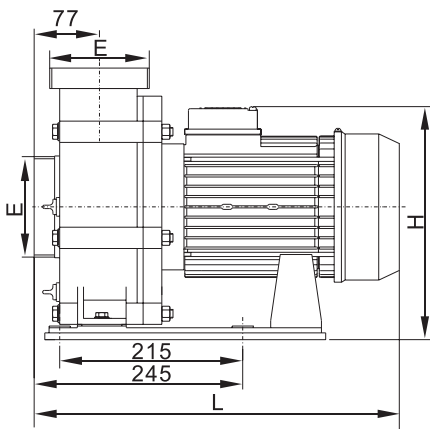
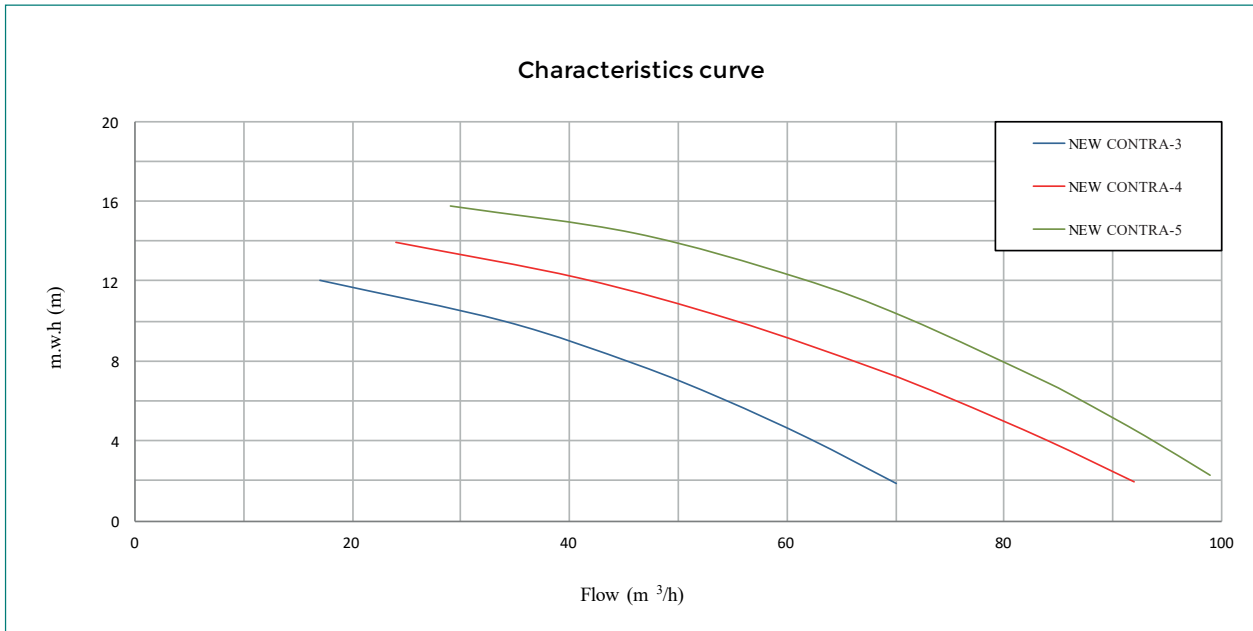
The nozzle includes cover, pneumatic push button and box housing for embedding Dimension.



Control Box



► New Contra - Counter Current Pump



► Jet Swim 2000



Pumps

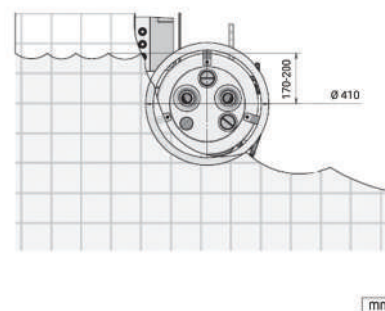
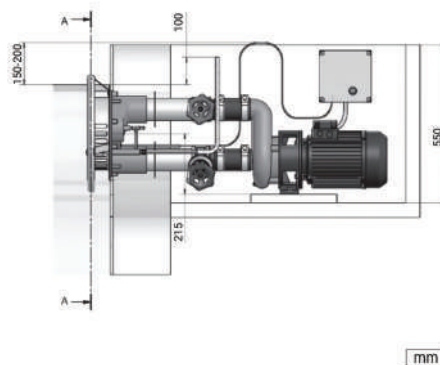
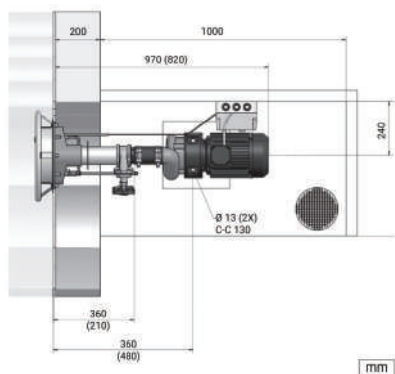
Features

Jet swim housing made of bronze and front of polished acid proof stainless steel AISI 316 for mounting in concrete, wood, or building block walls. Bronze pump with 2.2 kw motor. Control box including contactor and overload protection. Air mixture control and hose. Hoss for suction and pressure vaives.

Technical Specification



Code	Description
0015020	Swim jet 2000 4kw
0015021	Housing Kit 2000 for pools made of wood , plasit, steel , Liner
0015022	Housing Kit 2000 for concrete pools and concrete pools with liner.
0015023	Pump 4,0 kw (230/400 v - 13,9/8,0 A - Flow rate 71 m ³ /h - pipe connection 2 1/2")



Pumps



► Jet Swim Motion



Classic



Marine

Pumps



Features

Jet swim motion housing made of acid proof stainless steel and is available in two designs: Classic and marine. New flow technique with two oval nozzles. The lower nozzle is directed downward for a more even distribution of the streams providing a much more natural swimming technique compared to most counter-current units found on the market. Modern and minimalistic design. High class motor of 2.2kw with jet streams of 46 m³/h flow rate. pneumatic start button and seamlessly adjustable setting of air mixture. Integrated handle. Meets requirements of pool standard EN1658.



Technical Specification

Code	Description
0033050	Complete unit for wood , plastic , fiber, steel with liner - classic
0033051	Complete unit for Liner and concrete pools - classic
0033052	Complete unit for wood , plastic , fiber, steel with liner - Marine
0033053	Complete unit for Liner and concrete pools - Marine
0033054	Assembly kits - classic
0033055	Assembly kits - marine
0033056	Jet swim pump 2.2kw 50hz, 230 - 400V - 8,0/4,6 A - Flow rate, 46 m ³ /h - pipe connection 2"
0033057	Control box 400/3



Jet swim motion



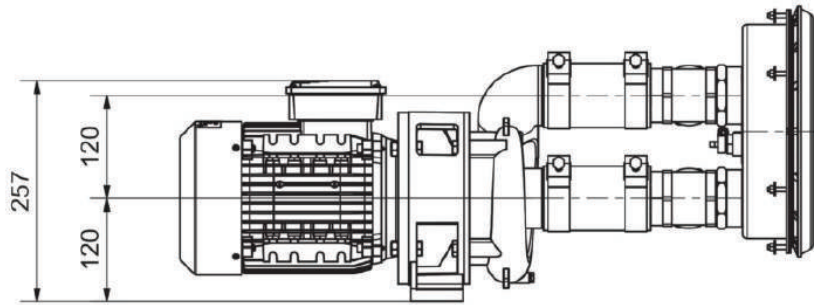
Pumps



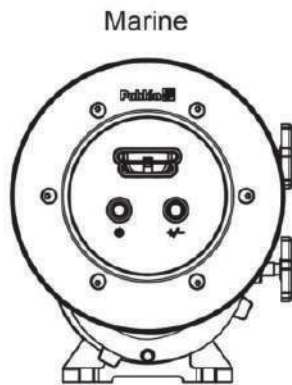
► Jet Swim Motion

Dimensions

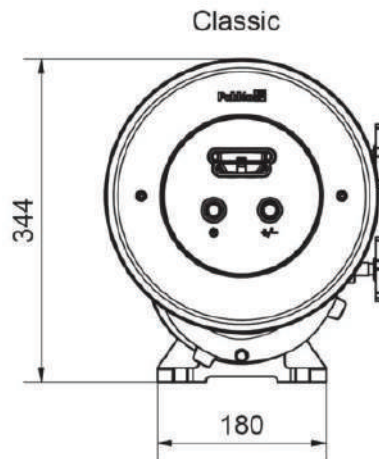
Pumps



mm

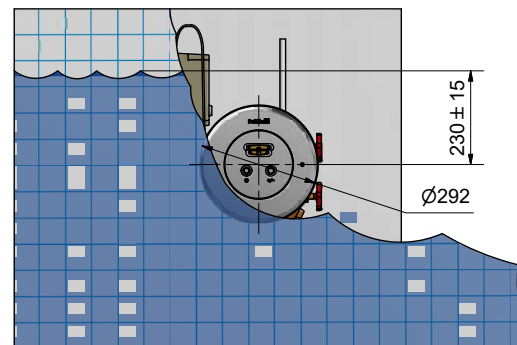
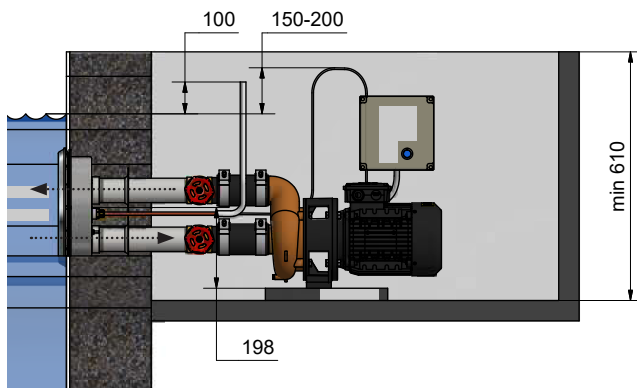


Marine



Classic

Installation Diagram



► Jet Stream



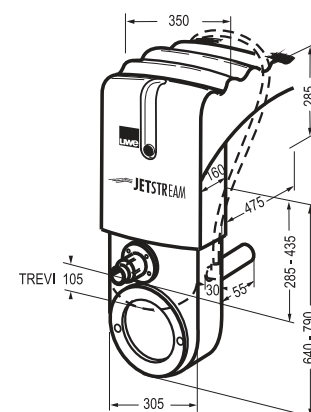
Technical Specification

Code	Description
Stream Pro	Jet Stream with 2.5 kw Pump , Nozzle 1, Flow rate, 12 ltr / sec with light 1 x 100w, 400 / 3 phase
Stream Lux	Jet Stream with 2.5 kw Pump , Nozzle 1, Flow rate, 12 ltr / sec without light.

Description

Just because your Swimming Pool was not constructed with a JetStream fitted, doesn't mean you can't enjoy Counter Current Swimming. The Trevi is a Counter Current System which can be retrofitted to any existing Swimming Pool or above-ground pool. It mounts onto the pool deck and simply requires a power supply to operate. It comes complete with its own built-in pump, and pneumatic on/off switch. The built-in pump delivers up to 12 litres per second of water flow, and the swivel nozzle is compatible with the massage accessories, meaning this isn't just a Counter Current System, but a Massage Station also. For an added sense of luxury, the Coco Lux adds an integrated 100W light which turns the Trevi Lux into a focal piece for your pool at night.

Dimension



Maße in mm





► Commercial Centrifugal Cast Iron Pump



Pumps

Specification

This new series of pumps developed by PROTEAM BOMBAS PSH is intended to meet the specific needs of the water parks and especially for the Slides. Includes end - suction centrifugal pumps , dimensionally designed according to EN733. All parts in contact with water are treated by long lasting cataphoresis. This treatment prevents the formation of troublesome oxides of cast iron pumps as the paint through chemically combines with all iron molecules located on the surface of the piece. The cataphoresis significantly prolong the life of cast iron and is one of the best anticorrosive and anti - rust treatments existing on the market nowadays. How efficiency motor class IE3 according to regulation EC n°640/2009 High Hydraulic efficiency Special long term treatment to prevent corrosion. Standard motor shaft which makes it compatible with any manufactures' s motor world wide. Especially designed for water slides. Dimensions according norm EN733

Features

Waterproof IP55 | High Quality mechanical seal and bearing | Flow rate up to 522m³/h
 Manometer head 39mwh maximum | Power rate From 7,5 HP to 60HP | Voltage 230/400V or 400/690V
 Motor 50Hz /1450rpm | Avilable also at 60Hz

Materials

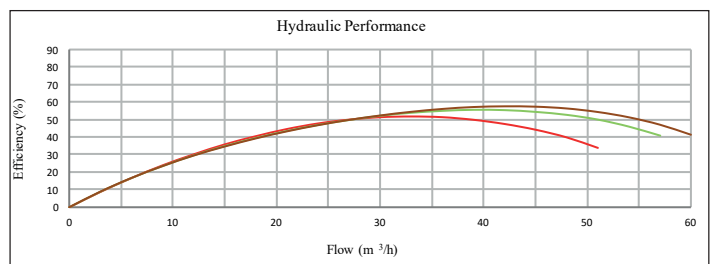
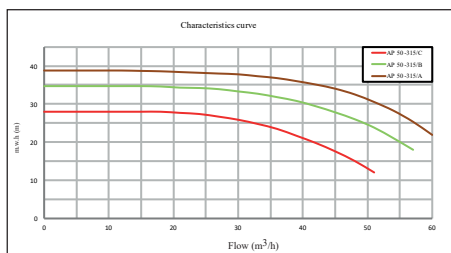
Pump Housing : Cast iron treated by cataphoresis. Impeller: Cast iron treated by cataphoresis or Bronze on demand. Shaft: Stainless steel AISI 316L Mechanical seal : Carbon +silicon Carbide.
 Screws: Stainless steel AISI304

Technical Specification

		Flow rate																				
m ³ /h		0	3	6	9	12	15	18	21	24	27	30	33	36	39	42	45	48	51	54	57	60
l/min		0	50	100	150	200	250	300	350	400	450	500	550	600	650	700	750	800	850	900	950	1000

Type	Power	Head m																					
		kw	hP																				
AP50-315/C	5,5	7,5	27,9	27,9	27,9	27,9	27,9	27,9	27,9	27,6	27,3	26,6	25,8	24,7	23,4	21,6	19,7	17,5	15,0	12,0			
AP50-315/B	7,5	10	34,7	34,7	34,7	34,7	34,7	34,7	34,6	34,3	34,2	33,9	33,3	32,7	31,8	30,8	29,4	27,8	26,0	23,8	21,0	18,0	
AP50-315/A	11	15	38,8	38,8	38,8	38,8	38,8	38,7	38,6	38,4	38,2	38,0	37,8	37,3	36,8	36,0	35,1	34,0	32,5	30,5	28,2	25,3	21,8

Type	Power		230/400V		400/690V		DNA In	DNI Out	Weight
	Kw	HP	A	A	A	A			
AP50-315/C	5,5	7,5	18,6	10,7	10,7	6,2	65	50	129
AP50-315/B	7,5	10			14,3	8,3	65	50	150
AP50-315/A	11	15			20,4	11,8	65	50	175





► Commercial Centrifugal Cast Iron Pump

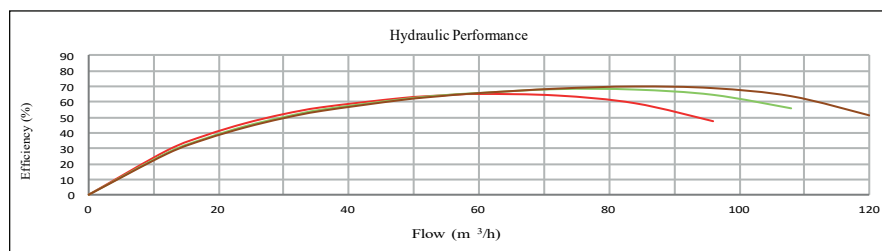
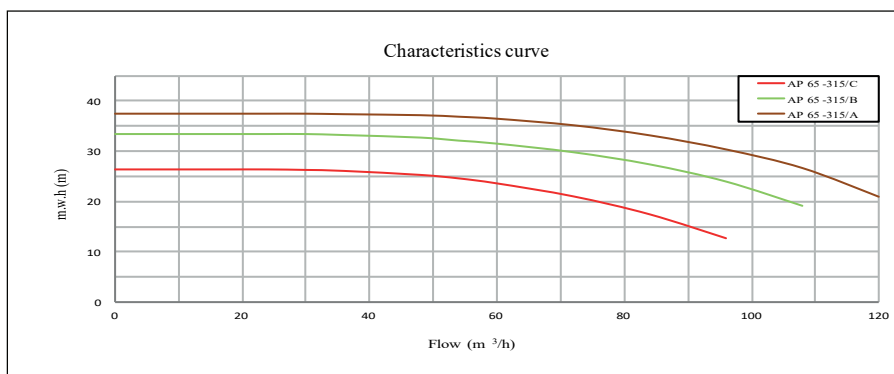


Pumps

Flow rate														
m ³ /h	0	12	18	24	30	36	48	54	60	72	84	96	108	120
l/min	0	200	300	400	500	600	800	900	1000	1200	1400	1600	1800	2000

Type	Power		Head													
	kw	hP	26,4	26,4	26,4	26,4	26,3	26,1	25,3	24,6	23,6	21,0	17,4	12,6		
AP65-315/C	7.5	10	33,4	33,4	33,4	33,4	33,4	33,2	32,7	32,1	31,5	29,8	27,4	24,0	19,2	
AP65-315/B	11	15	37,5	37,5	37,5	37,5	37,5	37,4	37,2	36,9	36,5	35,2	33,2	30,4	26,7	21,0

Type	Power		400/690V		DNA In	DNI OUT	Weight
	Kw	HP	A	A			
AP65-315/C	7.5	10	14,3	8,3	80	65	138
AP65-315/B	11	15	20,4	11,8	80	65	163
AP65-315/A	15	20	27,3	15,8	80	65	177





► Commercial Centrifugal Cast Iron Pump



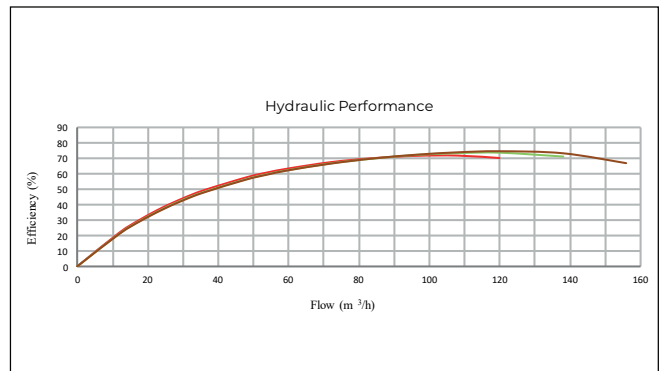
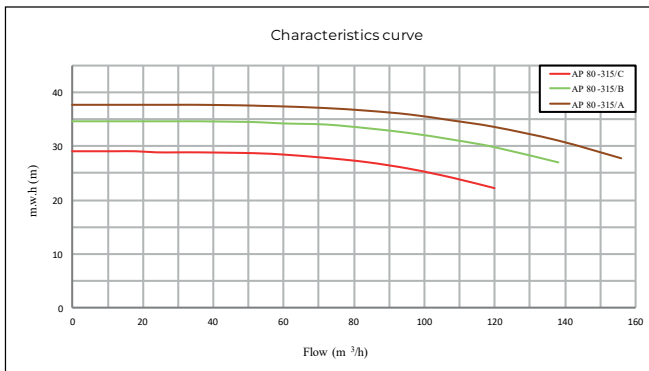
Pumps

Technical Specification

	Flow rate																
m ³ /h	0	12	18	24	30	36	48	54	60	72	84	96	108	120	138	156	
l/min	0	200	300	400	500	600	800	900	1000	1200	1400	1600	1800	2000	2300	2600	

Type	Power		Head															
	kw	hP																
AP80-315/C	11	15,0	29	29.0	29.0	28.8	28.8	28.8	28.7	28.6	28.4	27.8	27.0	25.8	24.2	22.3		
AP80-315/B	15	20	34.6	34.6	34.6	34.6	34.6	34.6	34.5	34.4	34.2	34.0	33.3	32.4	31.2	29.8	27.0	
AP80-315/A	19	25	37.6	37.6	37.6	37.6	37.6	37.6	37.5	37.4	37.3	37.0	36.5	35.8	34.7	33.5	31.0	27.7

Type	Power		400/690V		DNA In	DNI Out	Weight
	Kw	HP	A	A			
AP80-315/C	11	15	20,4		100	80	200
AP80-315/B	15	20	27,3		100	80	214
AP80-315/A	19	25	33,5	19,4	100	80	243





► Commercial Centrifugal Cast Iron Pump

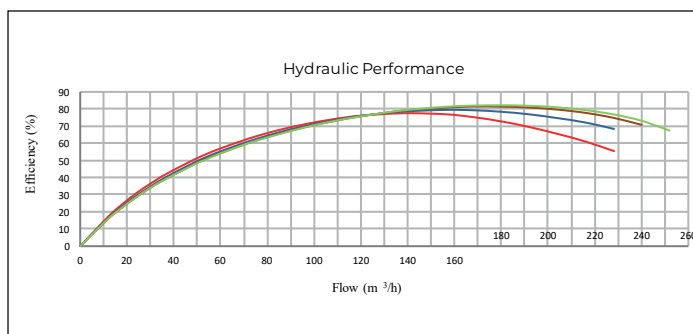
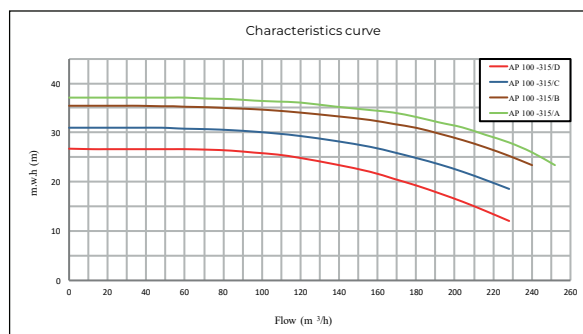
Pumps

Technical Specification

Flow rate																
m ³ /h		0	12	18	24	30	36	48	54	60	72	84	96	108		
l/min		0	200	300	400	500	600	800	900	1000	1200	1400	1600	1800		
Type	Power		Head													
	kw	hP														
AP100-315/D	15	20	26,7	26,6	26,6	26,6	26,6	26,6	26,6	26,6	26,6	26,6	26,5	26,3	25,9	25,5
AP100-315/C	18,5	25	31,0	31,0	31,0	31,0	31,0	31,0	31,0	31,0	30,9	30,8	30,7	30,5	30,2	29,8
AP100-315/B	22	30	35,5	35,5	35,5	35,5	35,5	35,5	35,5	35,5	35,4	35,3	35,2	35,0	34,8	34,5
AP100-315/A	30	40	37,0	37,0	37,0	37,0	37,0	37,0	37,0	37,0	37,0	37,0	36,8	36,7	36,4	36,2

Flow rate															
m ³ /h		120	156	168	180	192	204	216	228	240	252	138			
l/min		2000	2600	2800	3000	3200	3400	3600	3800	4000	4200	2300			
Type	Power		Head												
	kw	hP													
AP100-315/D	15	20	24,8	22,0	20,6	19,2	17,6	15,9	14,0	12,0			23,5		
AP100-315/C	18,5	25	29,3	27,1	26,0	24,8	23,5	22,0	20,3	18,5			28,3		
AP100-315/B	22	30	34,1	32,6	31,8	31,0	29,8	28,5	27,0	25,3	23,4			33,4	
AP100-315/A	30	40	36,0	34,5	34,0	33,1	32,0	31,0	29,5	28,0	26,0	23,4			35,2

Type	Power		400/690V		DNA In	DNI Out	Weight
	Kw	HP	A	A			
AP100-315/D	15	20	27,3	15,8	125	100	221
AP100-315/C	18,5	25	33,5	19,4	125	100	250
AP100-315/B	22	30	39,7	23	125	100	258
AP100-315/A	30	40	53,8	31,2	125	100	310



Pumps



► Commercial Pump

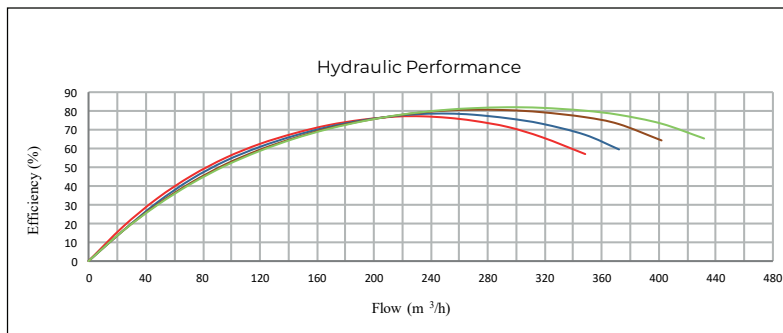
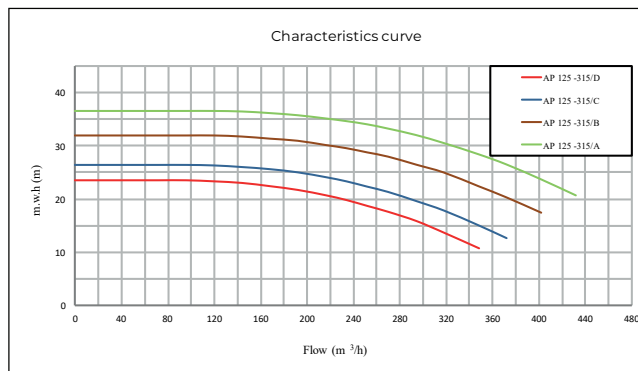


Pumps

Technical Specification

		Flow rate																		
		0	24	48	72	96	120	144	168	192	216	234	252	270	294	318	348	372	402	432
		0	400	800	1200	1600	2000	2400	2800	3200	3600	3900	4200	4500	4900	5300	5800	6200	6700	7200
Type	Power		Head																	
	kw	hP																		
AP125-315/D	18,5	25	23,5	23,5	23,5	23,5	23,5	23,3	23,0	22,4	21,7	20,7	19,8	18,7	17,6	15,9	13,7	10,8		
AP125-315/C	22	30	26,4	26,4	26,4	26,4	26,4	26,3	26,0	25,6	25,0	24,1	23,3	22,3	21,3	19,6	17,8	15,0	12,6	
AP125-315/B	30	40	32,0	32,0	32,0	32,0	32,0	31,8	31,4	31,0	30,2	29,6	28,8	28,0	26,5	25,0	22,4	20,3	17,4	
AP125-315/A	37	50	36,5	36,5	36,5	36,5	36,5	36,4	36,1	35,7	35,1	34,6	34,0	33,2	32,0	30,5	28,4	26,5	23,7	20,7

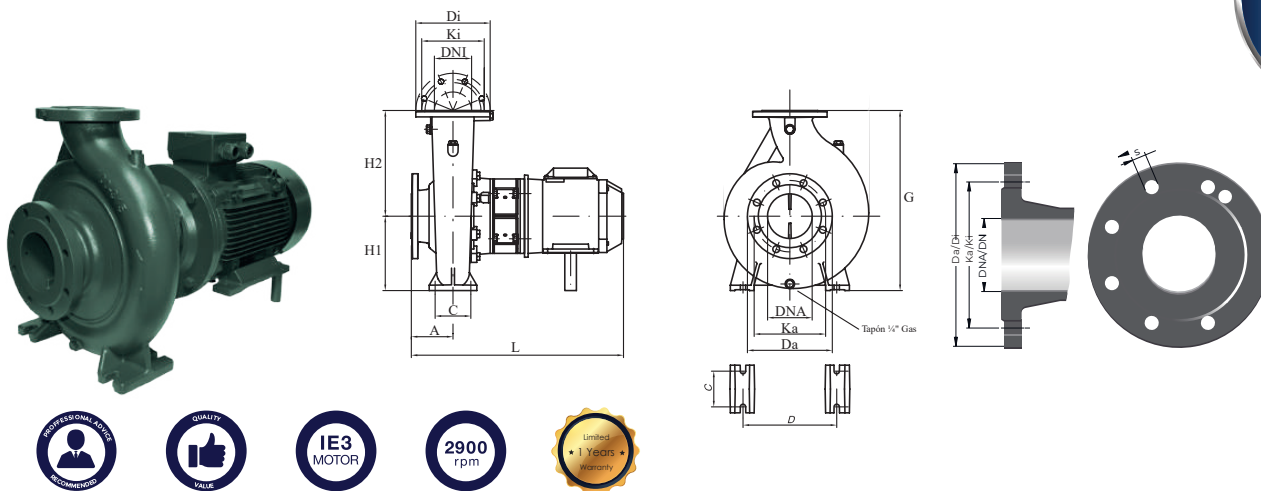
Type	Power		400/690V		DNA In	DNI OUT	Weight
	Kw	HP	A	A			
AP125-315/D	18,5	25	33,5	19,4	150	125	278
AP125-315/C	22	30	39,7	23	150	125	286
AP125-315/B	30	40	53,8	31,2	150	125	338
AP125-315/A	37	50	66,1	38,3	150	125	388



Pumps



Commercial Pump



Pumps

Technical Specification

Type	Power		DNA	DNI	Dimensions						Weight	
	kW	HP			A	L	G	H1	H2	C		D
AP50-315/C	5,5	7,5	65	50	125	758	505	225	280	95	280	129
AP50-315/B	7,5	10	65	50	125	780	505	225	280	95	280	150
AP50-315/A	11	15	65	50	125	914	505	225	280	95	280	175
AP65-315/C	7,5	10	80	65	125	780	505	225	280	120	315	138
AP65-315/B	11	15	80	65	125	914	505	225	280	120	315	163
AP65-315/A	15	20	80	65	125	985	505	225	280	120	315	177
AP80-315/C	11	15	100	80	125	914	565	250	315	120	315	200
AP80-315/B	15	20	100	80	125	985	565	250	315	120	315	214
AP80-315/A	18,5	25	100	80	125	991	565	250	315	120	315	243
AP100-315/D	15	20	125	100	140	1000	565	250	315	120	315	221
AP100-315/C	18,5	25	125	100	140	1006	565	250	315	120	315	250
AP100-315/B	22	30	125	100	140	1075	565	250	315	120	315	258
AP100-315/A	30	40	125	100	140	1128	565	250	315	120	315	310
AP125-315/D	18,5	25	150	125	140	1018	635	280	355	150	400	278
AP125-315/C	22	30	150	125	140	1087	635	280	355	150	400	286
AP125-315/B	30	40	150	125	140	1138	635	280	355	150	400	338
AP125-315/A	37	50	150	125	140	1220	635	280	355	150	400	388
AP150-315/D	22	30	200	150	160	1107	680	280	400	150	450	306
AP150-315/C	30	40	200	150	160	1158	680	280	400	150	450	358
AP150-315/B	37	50	200	150	160	1240	680	280	400	150	450	408
AP150-315/A	45	60	200	150	160	1256	680	280	400	150	450	445

PN 16		Suction & Drive			
DNA/DNI	Da/DI	Ka/KI	S	N	
50	165	125	19	4	
65	185	145	19	4	
80	200	160	19	8	
100	220	180	19	8	
125	250	210	19	8	
150	285	240	23	8	
200	340	295	23	12	





► Prefilters



Pumps



Technical Specification

Type	Dimensions						Inlet				Outlet				Thumb nut	Lts	Kg		
	A	E	F	G	H1	H2	DNE	Ke	De	le	BoltS	DNS	Ks	Ds				Is	Bolts
H100/100	345	275	250	320	120	260	100	180	220	19	8	100	180	220	19	8	6	11	9,2
H125/100	345	265	250	370	132	295	125	210	250	19	8	100	180	220	19	8	6	11	9,2

Prefilters Plastic

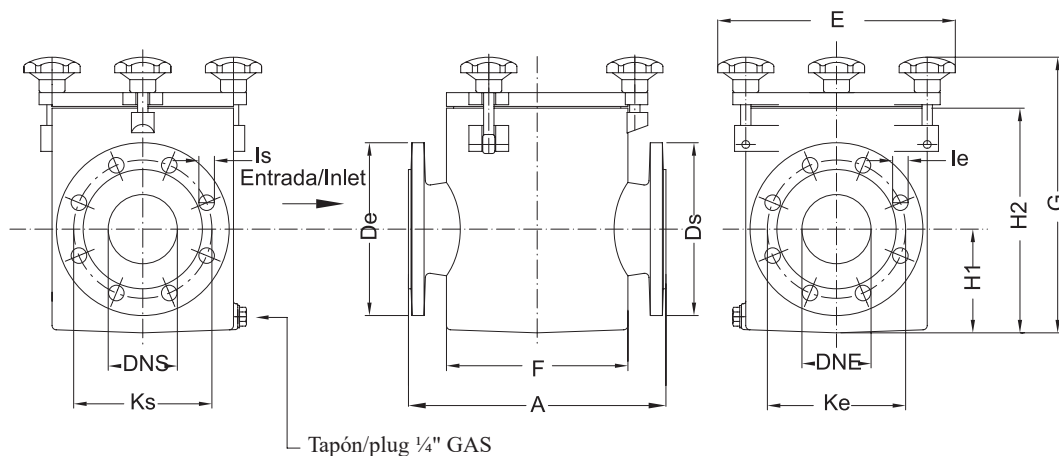
New range of prefilters made in Polypropylene with 30% fiberglass and transparent. The Pump lid closing with 6 butterfly nuts in stainless steel with ABS handle. Stainless steel basket.

Application Area

Test pressure - 2 bar
Flow rate range - 20 to 180m³/h
Temperature - 45°C max

Materials

Prefilter housing : polypropylene +30%GF
Cover - polycarbonate
Basket: stainless steel AISI 304



Pumps



► Prefilters

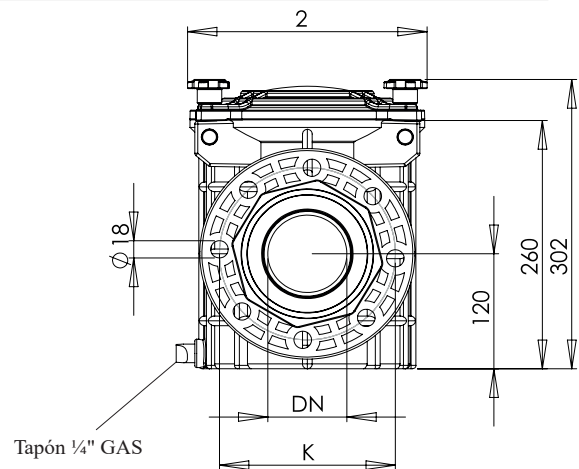
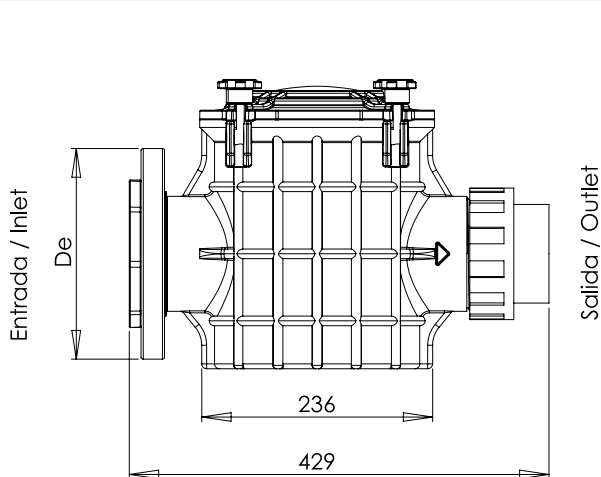


Pumps



Flow rate range - 20 to 120m³/h

Type	Inlet			Outlet			Tumb nut	Lts	Kg			
	DNE	Ke	De	le	Bolts	DNS	Ks	Ds	Is	Bolts		
H Ø75/Ø75			75 mm pipe to glue					75 mm pipe to glue			4	86,5
H Ø90/Ø90			90 mm pipe to glue					90 mm pipe to glue			4	86,5
H Ø100/Ø90	DN100	180	220	19	8			90 mm pipe to glue			4	86,5
H Ø100/Ø100	DN100	180	220	19	8	DN100	180	220	19	8	4	86,5





► Vertical prefilters cast iron and bronze



Vertical prefilters cast iron and bronze

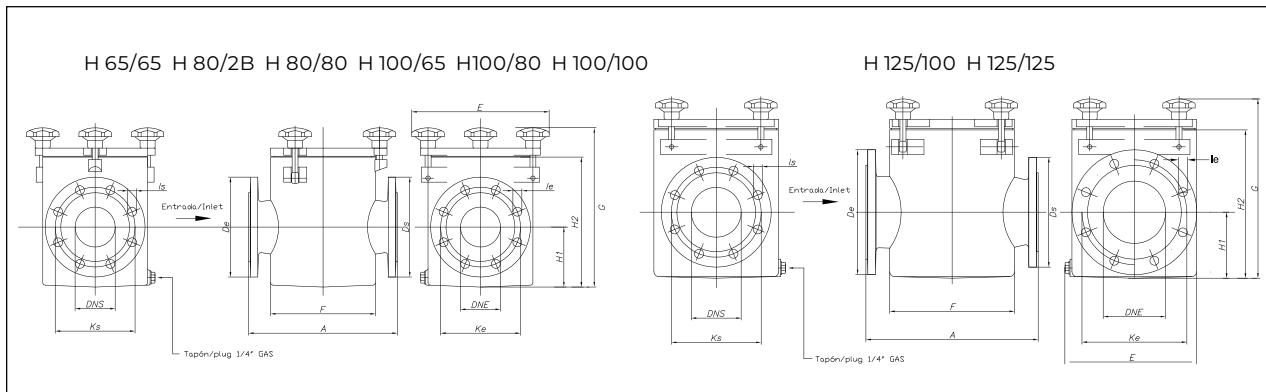
Cast iron and bronze prefilters for suspended solids filtration, Placed at the pump inlet, they prevent impeller blocking. The system of cover fixing allows an easy access to the prefilter basket for maintenance.

Materials

Prefilter housing and cover cast iron or bronze.
Basket Stainless Steel AISI 304
Working Pressure 2 Bar
Working temperature 60°C Max

Technical Specification

Type	Dimensions						Inlet					Outlet					Thumbnut	Lts	CG25 Kg	Br. Kg
	A	E	F	G	H1	H2	DNE	Ke	De	Is	Bolts	DNS	Ks	Ds	Is	Bolts				
H65/65	300	275	210	320	120	260	70	145	185	19	4	70	145	185	19	4	3	11	19,5	22
H80/2B	300	275	210	320	120	260	80	160	200	19	8	70	125	152	14	4	3	11	20,5	23
H80/80	300	275	210	320	120	260	80	160	200	19	8	80	160	200	19	8	3	11	20,5	23
H100/65	300	275	210	320	120	260	100	180	220	19	8	70	145	185	19	8	3	11	20,5	23
H100/80	300	275	210	320	120	260	100	180	220	19	8	80	160	200	19	8	3	11	21	23
H100/100	300	275	210	320	120	260	100	180	220	19	8	100	180	220	19	8	3	11	21,5	24
H125/100	345	265	250	370	132	295	125	210	250	19	8	100	180	220	19	8	4	13,5	35	39
H125/125	345	265	250	370	132	295	125	210	250	19	8	125	210	250	19	8	4	13,5	36	41



Pumps



► Vertical prefilters cast iron and bronze

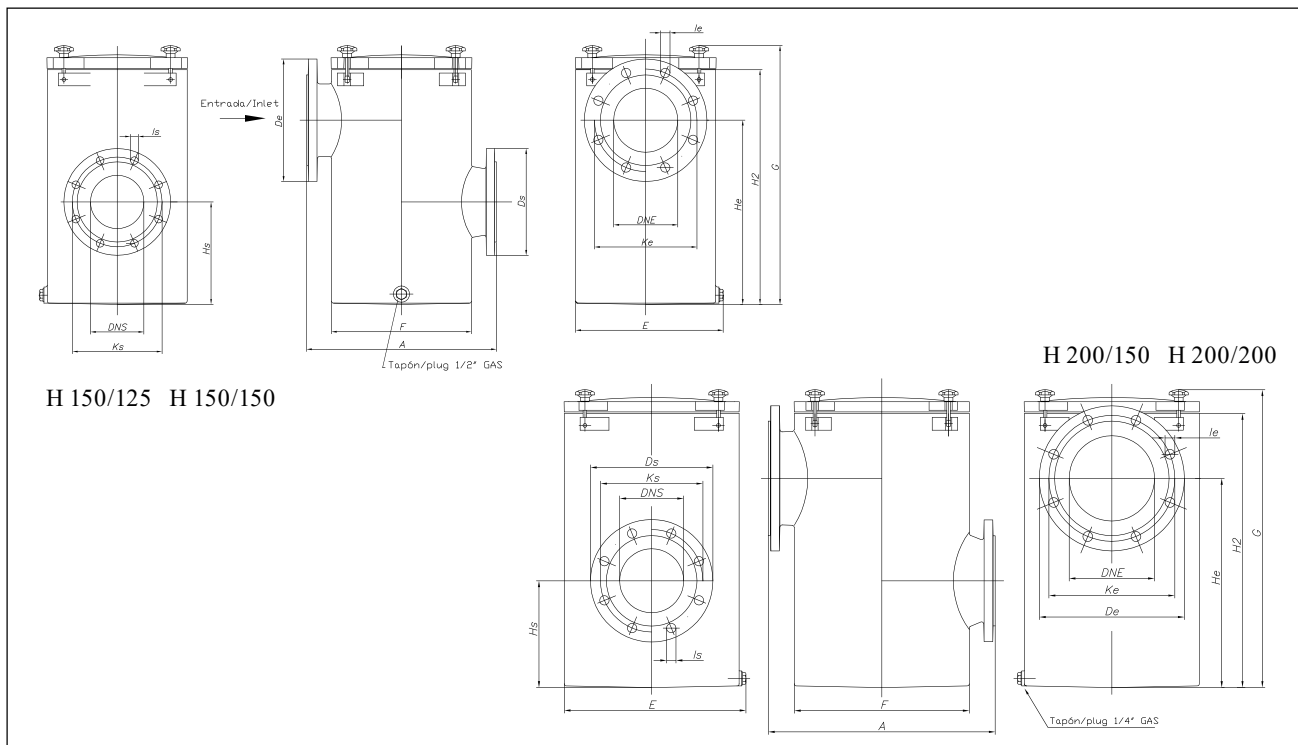


Pumps



Technical Specification

Type	Dimensions																	Thumbnut	Lts	GG25 Kg
	A	E	F	G	H1	HE	DNE	Ke	De	le	Bolts	HS	DNS	KS	DS	IS	Bolts			
H150/125	445	347	330	610	550	430	150	240	287	23	8	240	125	210	250	19	8	42	76	86
H150/150	445	347	330	610	550	430	150	240	287	23	8	240	150	240	287	23	8	42	77	87
H200/150	528	426	410	698	640	490	200	295	340	23	8	250	150	240	287	23	8	84	96	109
H200/200	528	426	410	698	640	490	200	295	340	23	8	250	200	295	340	23	8	84	98	111





► Prefilters Cast Iron and Bronze



Pumps



Vertical prefilters cast iron and bronze

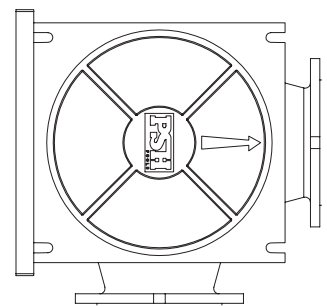
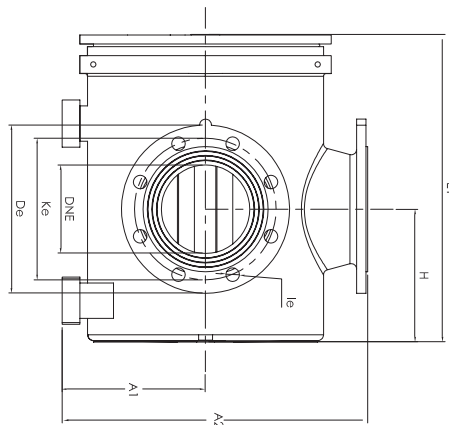
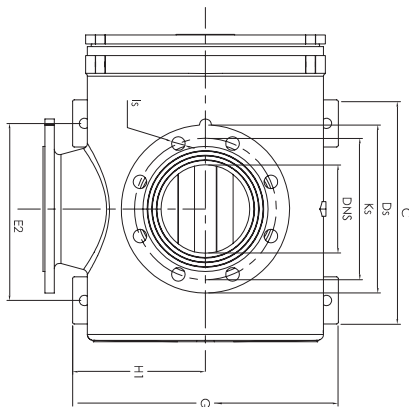
Cast iron and bronze prefilters for suspended solids filtration, Placed at the pump inlet, they prevent impeller blocking. The system of cover fixing allows an easy access to the prefilter basket for maintenance.

Materials

Prefilter housing and cover cast iron or bronze. | Basket Stainless Steel AISI 304
Working Pressure 2 Bar | Working temperature 60°C Max

Technical Specification

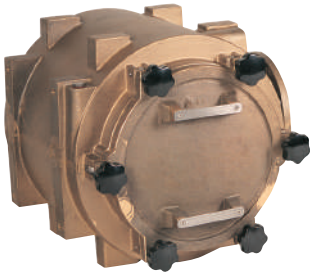
Type	Dimensions										Inlet					Outlet				Lts 25 Kg		
	A1	A2	C	D1	D2	E1	E2	G	H	H1	DNE	Ke	De	Ie	Bolts	DNS	Ks	Ds	IS	Bolts		
V150/150	243	518	377			520	300	450	225	225	150	240	285	23	8	150	240	285	23	8	52	110



Pumps



► Prefilters Cast Iron and Bronze

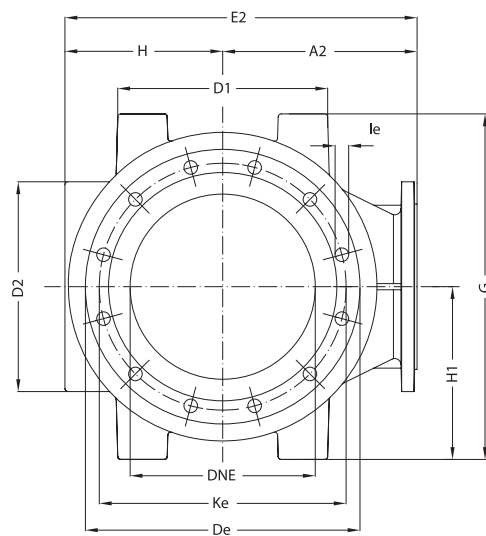
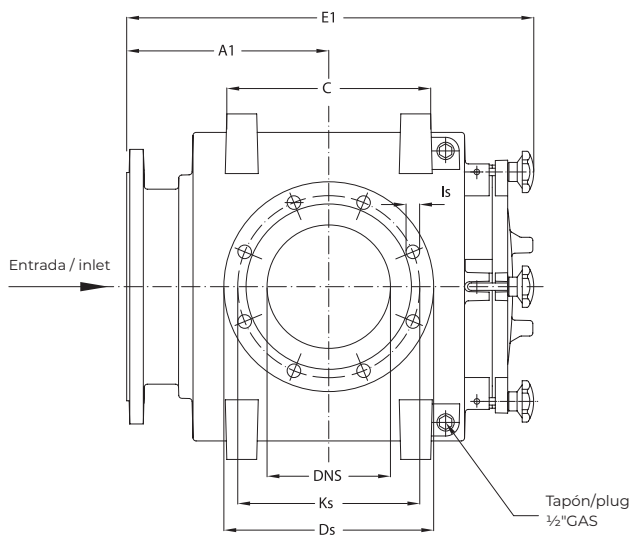


Pumps



Technical Specification

Type	Dimensions			Inlet										Outlet						25 Br.			
																				Lts	Kg		
	A1	A2	C	D1	D2	E1	E2	G	H	H1	DNE	Ke	De	le	Bolts	DNS	Ks	Ds	IS	Bolts			
H250/150	328	315	332	342	340	600	570	500	255	250	250	350	395	23	12	150	240	285	23	8	93	114	130
H250/200	328	315	332	342	340	600	570	500	255	280	250	350	395	23	12	200	295	340	23	8	93	118	135
H300/200	328	315	332	342	340	600	570	500	255	280	300	400	445	23	12	200	295	340	23	8	93	122	138





► Great Giant - Polypropylene+30% Fiberglass Construction



Pumps



Great Giant - polypropylene+30% fiberglass construction

Range of prefilters made in polypropylene with 30% fiberglass and transparent lid closing threaded. Basket made of polypropylene.

Application area

Test Pressure - 2 bar
Flow rate range - 20to 245m³/h
Temperature - 45°C Max

Materials

Prefilter housing - polypropylene +30% GF
Cover - Polycarbonate
Basket - polypropylene

Technical Specification

Type	Dimensions								Inlet				Outlet				Lts		25 Kg
	A	E	F	G	H1	H2	DNE	Ke	De	Le	Bolts	DNS	Ks	Ds	Is	Bolts			
H150/150	427	483	315	546	146	295	150	240	280	24	8	150	240	280	24	8	33	36	

