



POOL SURROUND EQUIPMENTS





POOL SURROUND EQUIPMENTS

POOL SURROUND EQUIPMENTS

<u>Pool Ladders</u>	116
<u>Above Ground Ladders</u>	122
<u>Grab Rails</u>	124
<u>Ladder Accessories</u>	116
<u>Handrails</u>	116
<u>Life Saving Accessories</u>	116
<u>Life Guard Chair</u>	116
<u>Pool Slides</u>	116
<u>Diving Board</u>	116
<u>Portable Pool Lift</u>	116
<u>Over Flow Grating</u>	116
<u>Pool Tiles</u>	116
<u>Natural Stones for Pool</u>	116



Pool Surround Equipments

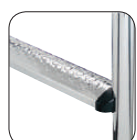


► Pool Ladders

Standard Ladder

Handrails in polished Stainless steel (Ø 43 mm) tube. Steps in Stainless Steel with anti-slip security. Complete with anchors and earthing accessories.

Pool Surrounding



Standard Step

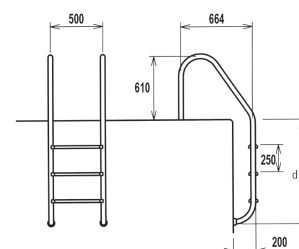


Deluxe Step



Deluxe SS316

Steps	Code	Code	Code	D	Kg	m ³
2	00701020	00701021	00701022	696	10.0	0.06
3	00701030	00701031	00701033	946	11.8	0.07
4	00701040	00701041	00701044	1196	13.2	0.08
5	00701050	00701051	00701055	1446	14.0	0.09



Mixed Ladder



Standard Step

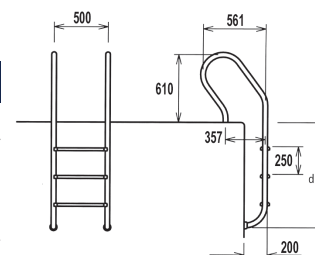


Deluxe Step



Deluxe SS316

Steps	Code	Code	Code	D	Kg	m ³
2	00712022	00713022	00714022	696	10.0	0.06
3	00712033	00713033	00714033	946	11.8	0.07
4	00712044	00713044	00714044	1196	13.2	0.08
5	00712055	00713055	00714055	1446	14.0	0.09



Muro Ladder



Standard Step

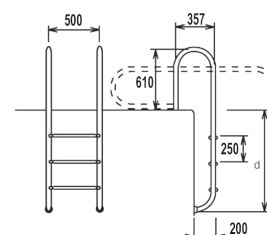


Deluxe Step



Deluxe SS316

Steps	Code	Code	Code	D	Kg	m ³
2	00705022	00705122	00705222	696	10.0	0.06
3	00705033	00705133	00705233	946	11.8	0.07
4	00705044	00705144	00705244	1196	13.2	0.08
5	00705055	00705155	00705255	1446	14.0	0.09



Pool Surround Equipments



► Pool Ladders

Overflow Ladder



Deluxe Step



Deluxe SS316

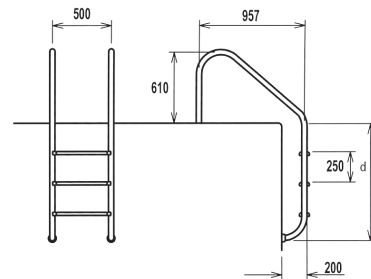
Steps	Code	Code	D	Kg	m ³
2	00715220	00715222	696	10.0	0.11
3	00715230	00715233	946	12.0	0.14
4	00715240	00715244	1196	14.0	0.18
5	00715250	00715255	1446	15.0	0.21

Pool Surrounding

Special Overflow



Deluxe SS316 Double Safety Tread

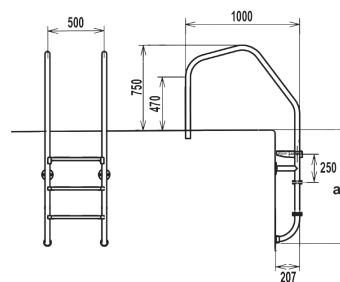


Steps	Code	a	Kg	m ³
2	00715322	696	10.0	0.11
3	00715333	946	12.0	0.14
4	00715344	1196	14.0	0.18
5	00715355	1446	15.0	0.21

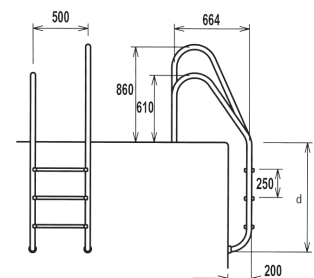
Assymmetric Standard



Deluxe Step



Steps	Code	d	Kg	m ³
2	00715422	696	11.8	0.07
3	00715433	946	13.2	0.08
4	00715444	1196	14.0	0.09
5	00715455	1446	15.0	0.10



Pool Surround Equipments



► Pool Ladders

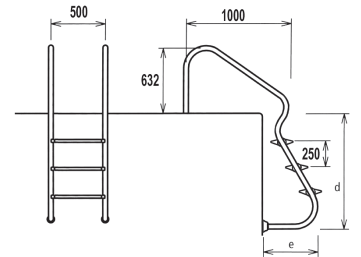
Easy Access

Pool Surrounding



Deluxe Double safety tread

Steps	Code	d	e	Kg	m ³
3	00715533	1005	511	16	0.19
4	00715544	1225	630	17	0.24



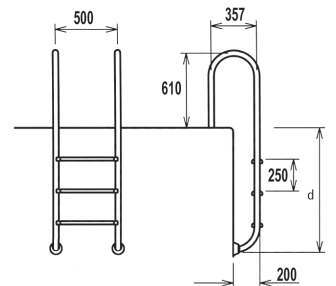
Wall Anchor with Flange



Standard Step



Steps	Code	d	Kg	m ³
2	00715622	946	11.8	0.07
3	00715633	1196	13.2	0.08



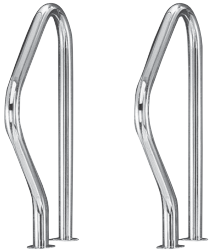
Pool Surround Equipments



► Pool Ladders

Split Ladders - Two Pieces

Handrails in polished Stainless steel Ø43mm tube. Steps in Stainless Steel with anti-slip security. Complete with anchors and earthing accessories.



Standard Step



Deluxe Step

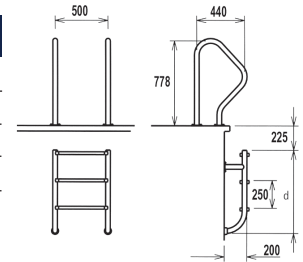


Deluxe SS316

Pool Surrounding



Steps	Code	Code	Code	D	Kg	m ³
2	00715722	00715822	00715922	515	21.5	0.08
3	00715733	00715833	00715933	765	22.5	0.08
4	00715744	00715844	00715944	1015	23.5	0.08
5	00715755	00705855	00715955	1265	24.5	0.08



Lower Part of Split Ladder - Two Pieces



Standard Step



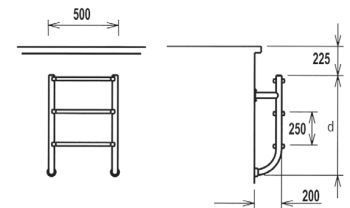
Deluxe Step



Deluxe SS316



Steps	Code	Code	Code	D	Kg	m ³
2	00716022	00716122	00716222	515	14.5	0.08
3	00716033	00716133	00716233	765	15.5	0.08
4	00716044	00716144	00716244	1015	16.5	0.08
5	00716055	00716155	00716255	1265	17.5	0.08

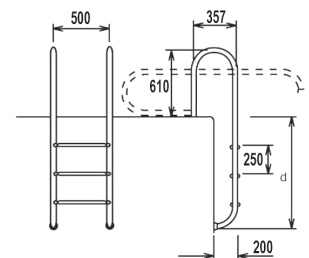


Articulated Ladder to Put in Horizontal Position



Standard Step

Steps	Code	d	Kg	m ³
2	00716333	946	12.7	0.07
3	00716344	1196	14.1	0.08



Pool Surround Equipments



► Pool Ladders

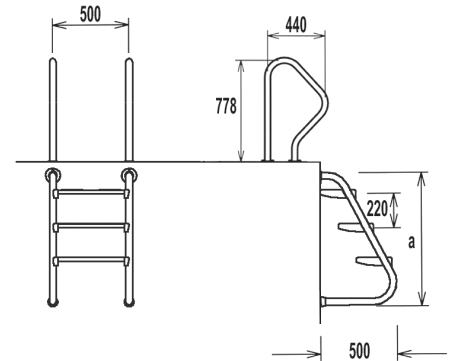
Pool Surrounding



Deluxe Double safety tread

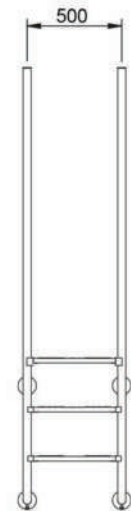
Two-Part Ladder for Easy Access

Steps	Code	a	Kg	m ³
2	00716433	865	16.0	0.08
3	00716444	1085	18.0	0.08



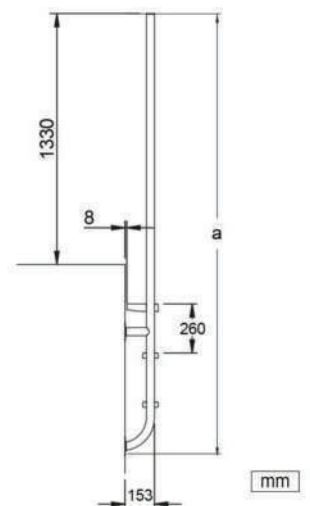
Open Sky Ladder

Steps	Code	Kg	A(mm)
3	00716630	20	2315
4	00716640	22	2565



Description

Swimming pool ladder in AISI-304 and AISI-316. It is composed of a \varnothing 43mm x 1.2mm – diameter tube. A non-slip, flat-designed tread ensures security. The ingenious tread fixing way leaves tubing completely smooth and free from screws and other fixings. Our ladder is supplied complete with all components packaged in one box for easy assembly/installation where tread and escutcheons are protected with a scratch-resistant film that can be removed during installation. For stainless steel products installed in pools with salt chlorinators, we suggest electrolytic polishing (electropolished).



Pool Surround Equipments

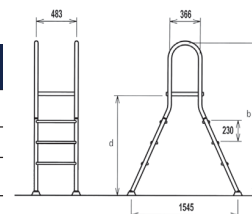


► Above Ground Ladders

Proteam Europa Stainless steel with plastic steps. Handrails in polished stainless steel AISI 316, Ø 43mm tube. Complete with anchor and accessories.



Code	Steps	b	c	d	Kg	m ³
00716530	3-3	1670	1065	1175	20	0.11
00716531	4-4	1900	1295	1350	22	0.13
00716532	5-5	2130	1525	1545	25	0.17

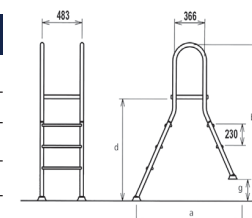


Semi - Elevated Above Ground

Proteam Europa Stainless steel with plastic steps. Handrails in polished stainless steel AISI 316, Ø 43mm tube. Complete with anchor and accessories.



Code	Steps	b	c	d	Kg	m ³
00716533	1-3	1065	460	1670	17.0	0.10
00716534	1-4	1295	690	1900	18.0	0.10
00716535	1-5	1525	920	2130	19.0	0.10
00716536	2-4	1295	460	1900	19.0	0.10
00716537	3-5	1525	460	1230	21.0	0.10

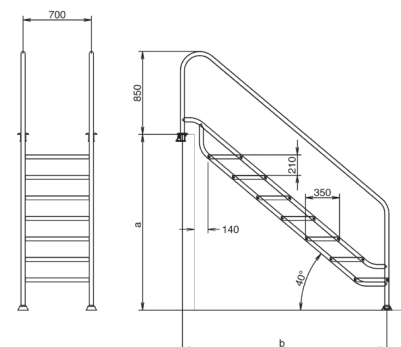


Access Ladder for Disabled Persons

Proteam Europa Stainless steel with SS steps. Handrails in polished stainless steel AISI 316, Ø 43mm tube. Complete with anchor and accessories.



Code	Steps	a	b	Kg	m ³
00716538	5	1180-1380	1600	59	0.261
00716539	6	1390-1590	1850	67	0.315
00716540	7	1600-1800	2100	75	0.315

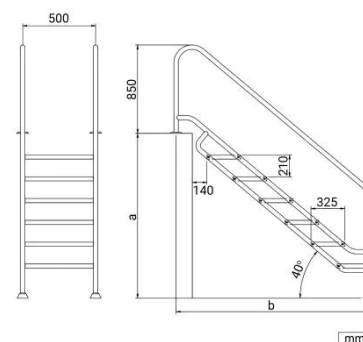


Access Ladder for Disabled Persons

Proteam Europa Stainless steel with Plastic steps. Handrails in polished stainless steel AISI 316, Ø 43mm tube. Complete with anchor and accessories.



Code	Steps	a	b	Kg	m ³
00716538	5	1180-1380	1600	59	0.261
00716539	6	1390-1590	1850	67	0.315
00716540	7	1600-1800	2100	75	0.315



mm

Pool Surrounding



Pool Surround Equipments

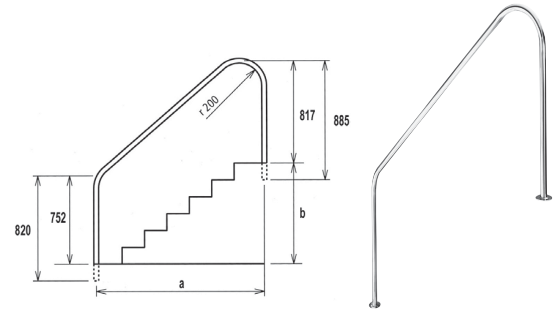


► Grab Rails

Made in polished SS AISI 316 Ø43mm tube. | For embedding | With flanges including fixing plates, gaskets, screws and raw plugs

Grab Rails - 2 Bend SS AISI 316

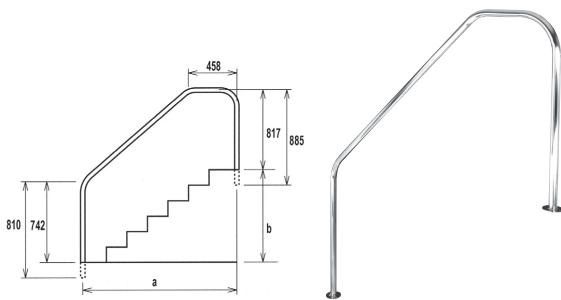
Code	Description	a	b	Kg	m ³
00716812	Embedding	1219	660	4.0	0.14
00716815	Embedding	1524	915	4.5	0.16
00716818	Embedding	1829	1169	4.9	0.25
00716912	Welded Flange	1219	660	4.5	0.23
00716915	Welded Flange	1524	915	4.9	0.26
00716918	Welded Flange	1829	1169	5.4	0.34



Pool Surrounding

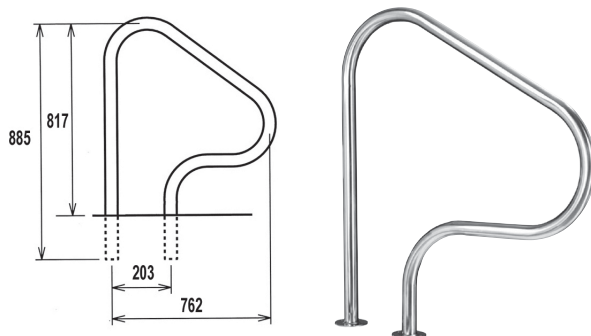
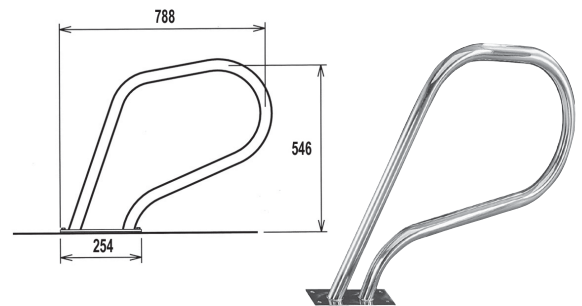
Grab Rails - 3 Bend SS AISI 316

Code	Description	a	b	Kg	m ³
00717012	Embedding	1219	660	4.0	0.16
00717015	Embedding	1524	915	4.5	0.18
00717018	Embedding	1829	1169	4.9	0.27
00717112	Welded Flange	1219	660	4.5	0.25
00717115	Welded Flange	1524	915	5.0	0.28
00717118	Welded Flange	1829	1169	5.5	0.36



Base Plate Model SS AISI 316

Code	Description	Kg	m ³
00717211	SS AISI 316	4.0	0.043



Grab Rail Standard SS AISI 316

Made in polished SS AISI 316 Ø43mm tube. | For embedding | With flanges including fixing plates, gaskets, screws and raw plugs

Code	Description	Kg	m ³
00717212	Welded Flange	3.3	0.03
00717213	Embedding	3.6	0.03



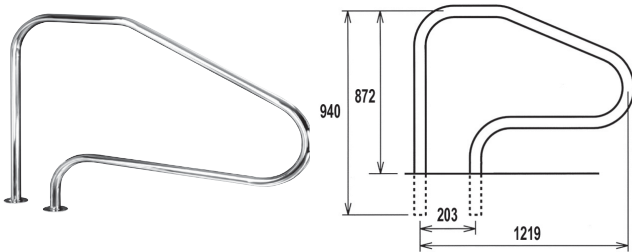
Pool Surround Equipments



► Grab Rails

Grab Rails Out Water / 4-Bend SS AISI 316

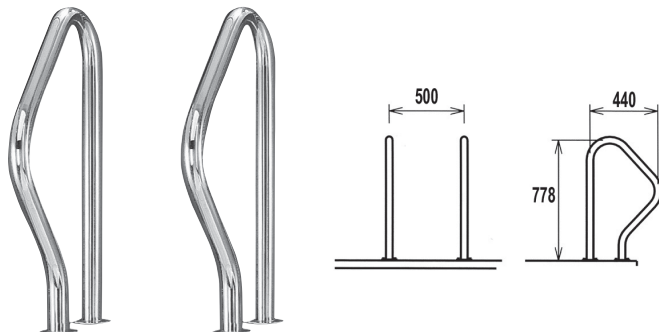
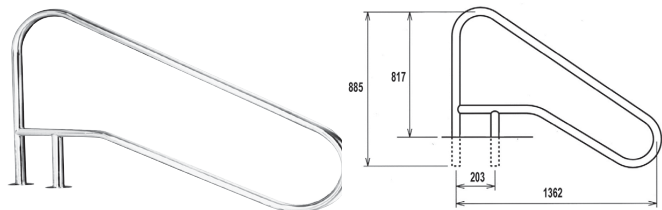
Made in polished SS AISI 316 Ø43mm tube. | For embedding | With flanges including fixing plates, gaskets, screws and raw plugs



Code	Description	Ø	Kg	m ³
00717214	Embedding	43	4.5	0.05
00717215	Welded Flange	43	4.8	0.05

Grab Rails Out Water / 4-Bend SS AISI 316

Code	Description	Ø	Kg	m ³
00716008	Embedding	43	5.1	0.05
00717008	Welded Flange	43	5.4	0.05



Two Pieces Grab Rail Set Standard

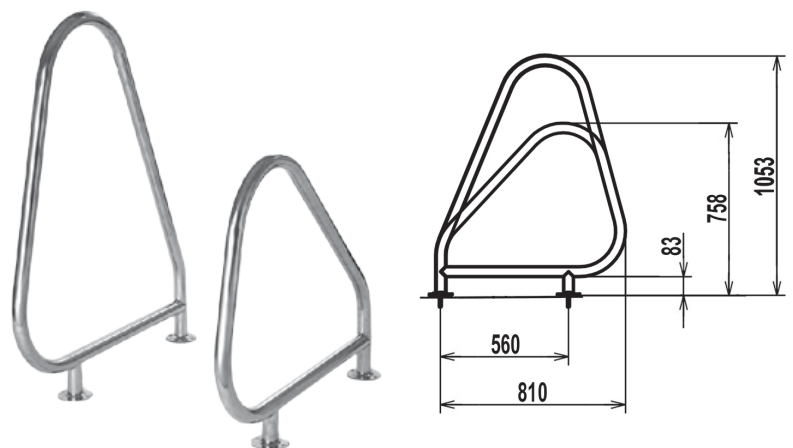
Made in Posihed SS AISI 316 Ø43mm tube. | Exit Grab Rails supplied as a pair: | With flanges - including fixing plates, gaskets, screws and raw plugs

Code	Ø	Kg	m ³
00717216	43	7.0	0.08

Two Pieces Grab Rail Set Asymmetrical

Code	Kg	m ³
00717218	7.0	0.138

Made in Posihed SS AISI 316 Ø43mm tube. | Exit Grab Rails supplied as a pair: | With flanges including fixing plates, gaskets, screws and raw plugs



Pool Surrounding



Pool Surround Equipments

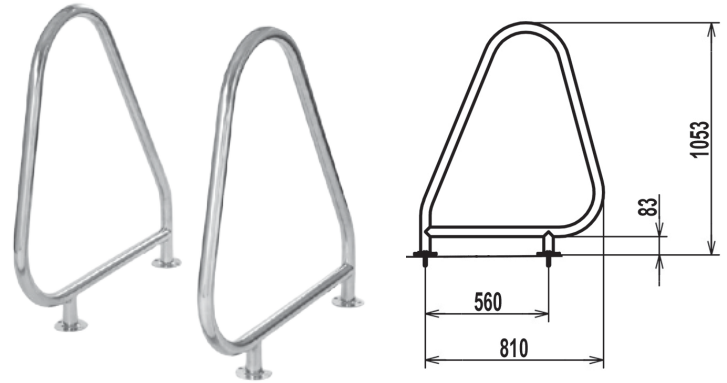


► Grab Rails

Two Pieces Grab Rail Set Parallel

Code	Kg	m ³
00717217	7.0	0.138

Made in Posihed SS AISI 316 Ø43mm tube. | Exit Grab Rails supplied as a pair: | With flanges - including fixing plates, gaskets, screws and raw plugs



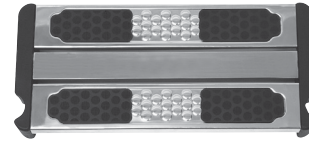
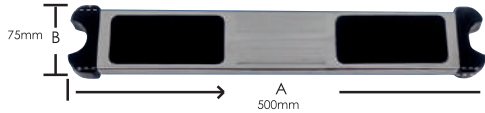
Pool Surrounding



Pool Surround Equipments



► Ladder Accessories



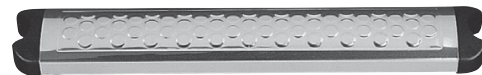
Deluxe Tread SS AISI 316

Code	Width	Kg	m ³
00717201	75mm	0.62	0.011
00717202	75mm	0.62	0.011

Deluxe Double Safety Tread SS AISI 316

Code	Width	Kg	m ³
00717203	230mm	1.65	0.0075
00717204	230mm	1.65	0.0075
00717205	230mm	1.65	0.0075
00717206	230mm	1.65	0.0075

Pool Surrounding

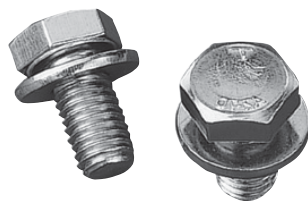


Plastic Tread for Elevated Ladder SS AISI 316

Code	Kg	m ³	U
00717207	0.3	0.011	x1

Standard Tread SS AISI 316

Code	Width	Kg	m ³
00717200	75mm	0.62	0.08



Screws for Tread SS AISI 316

Code	Kg	AISI	M
00717208	0.01	304	M8
00717209	0.01	316	M8

Articulated Anchor SS AISI 316

Code	Kg	m ³	U
00717311	3.0	0.0015	x2



Pool Surround Equipments



► Ladder Accessories



Articulated Rubber Bumper

Code	Kg	m ³	U
00717313	0.18	0.0005	x2



Escutcheon Plates SS AISI 316

Code	Kg	m ³	U
00717314	0.065	0.0001	x2
00717315	0.065	0.0001	x2

Pool Surrounding



Cover for Anchor SS AISI 316

Code	Kg	m ³	U
00717316	0.35	0.0025	x2



Kit for Liner

Code	Kg	m ³	U
00717317	1.0	0.0015	x2



Anchor with Flange SS AISI 316

Code	Kg	m ³	U
00717200	0.815	0.0013	x2



Rubber Bumper

Code	Kg	m ³	U
00717312	0.05	0.0001	x2



Anchor Socket AISI 316

Code	Kg	m ³	U
00717210	0.280	0.0003	x2



Articulated Anchor with Flange SS AISI 316

Code	Kg	m ³	U
00717301	1.7	0.003	x2



Pool Surround Equipments



► Handrails

Handrails - Ø 42 mm SS AISI 316

Code	a	Kg	m ³	U
00717414	400	0.70	0.006	x1
00717408	800	1.10	0.011	x1
00717412	1200	1.45	0.016	x1
00717414	1800	2.25	0.024	x1



Pool Surrounding

Handrails - Ø 42 mm SS AISI 316

Code	a	Kg	m ³	U
00717405	500	1.5	0.009	x1
00717410	1000	2.2	0.016	x1
00717415	1500	2.8	0.023	x1
00717420	2000	3.4	0.030	x1
00717430	3000	4.8	0.044	x1



Tube - Ø 42 mm SS AISI 316

Code	a	Kg	m ³	U
00717510	1000	5.044	0.02	x1
00717520	2000	10.084	0.04	x1
00717530	3000	15.128	0.06	x1



Tube Connection SS AISI 316

Code	Desc	Ø	Kg	m ³	U
00717580	180°	42	0.294	0.0006	x1
00717590	90°	42	0.294	0.0037	x1



Tube End Cap SS AISI 316

Code	Ø	Kg	m ³	U
00717591	42	0.040	0.00250	x2



Pool Surround Equipments



► Handrails

Handrails - Ø 42 mm SS AISI 316



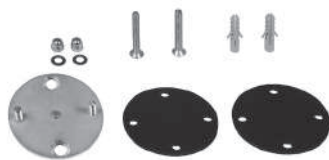
Pool Surrounding

Wall Mounting Bracket SS AISI 316

Code	Desc	Kg	m ³
00717525	Open Bracket	0.20	0.0005
00717526	End Bracket	0.25	0.0005

Handrail Accessories Set

Code	Desc	Kg	m ³
00717527	(1)	0.0009	0.3



Kit for Liner for Handrails Ladders

Code	Kg	m ³
00717528	1.0	0.005
FOR WALL MOUNTING BRACKET		
00717529	1.0	0.0015



Plastic Pad

Code	Desc	Kg	m ³
00717530	(1)	0.0009	0.3





► Life Saving Accessories



Life Rings

Exterior made of rigid polyethylene
Measurements: 0 ext. 72 cm. int. 43.5 cm.
Made of styrophor material, soft and covered with polyester canvas. Measurements: 0 ext. 70 cm. int. 46 cm.

Code	Internal Dia	External Dia
00717701	43.5cm	72cm



Life Saving Hook

Made in AISI-304 Stainless Steel or Alluminium. For use with telescopic handles

Code	Kg	m ³	U
00717704	2.5	0.09	x1



Life Ring Holder

Made in AISI-304 Stainless Steel or Aluminium. Designed to be hang on wall or fitted on to a lifebelt holder post.

Code	Kg	m ³	U
00717703	0.7	0.09	x1



Life Ring without polyurethane

Buoyancy means without foam, made of polyethylene.

Code	Internal Dia	External Dia
00717702	40cm	60cm



Lifebelt Holder Post

Made in AISI-304 Stainless Steel, Ø43mm. Base plate with 3 holes. Supplied with gaskets, anchor plugs and screws.

Code	Kg	m ³	U
00717705	2.5	0.01	x1



Life Ring Holder

The life ring holder is designed to securely hold 3" and 4" thick life rings. It is made of durable stainless steel, AISI-304.

Code	Kg	m ³	U
00717703	0.7	0.09	x1



Pool Surround Equipments



► Life Saving Accessories

Pool Surrounding



Life Guard Chair -Mini

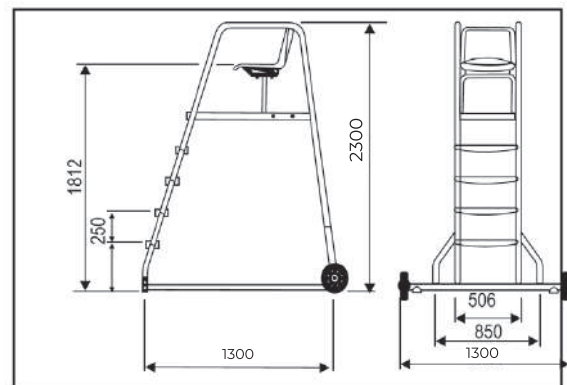
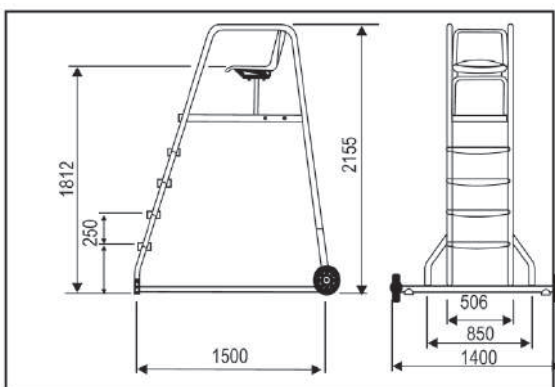
Made of Stainless Steel AISI-304, Ø43mm pipe. AISI316 also available on request. With dismountable base plate. Steps, platform, chair, made of High Grade plastic. Parasol holder and lifebouy bracket include.

Code	Kg	m ³	U
00727710	40.0	0.351	x1

Life Guard Chair -Maxi

Made of Stainless Steel AISI-304, Ø43mm pipe. AISI316 also available on request. With dismountable base plate. Steps, platform, chair, made of High Grade plastic. Parasol holder and lifebouy bracket include.

Code	Kg	m ³	U
00727711	45.0	0.351	x1



Pool Surround Equipments



► Slides



Pool Surrounding

Straight Model Pool Slide

Polyester and fiberglass material Anti-slipping step surface Support base underneath the sliding-surface-part (slide-body) Water nozzle sprinkling water along the sliding surface tall side ramps aside the slide for extra safety Aluminium, epoxy painted handrails with white colour. Easy and fast installation. Body slide in light blue color. Height: 1.3 - 2.00m

Code	Description	Height (m)
00729008	Straight	1.3
00729003	Straight	1.5
00729012	Straight	2.0

Curved Model Pool Slide

Polyester and fiberglass material. Anti-slipping step surface. Support base underneath the sliding-surface-part (slide-body). Two Water nozzle sprinkling water along the sliding surface. Tall side ramps aside the slide for extra safety. Aluminium, epoxy painted handrails with white colour. Easy and fast installation. Body slide in light blue color. Height: 1.80m

Code	Description	Height (m)
00729004	Right Hand Curved	1.8
00729005	Left Hand Curved	1.8



Pool Surround Equipments



► Diving Boards



Flexible Spring Board

Polyester and fiberglass board, Stainless steel base. Non-slip board surface. Available lengths: 2,40m. Light blue color

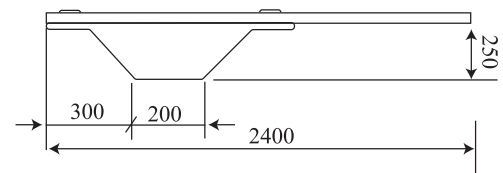
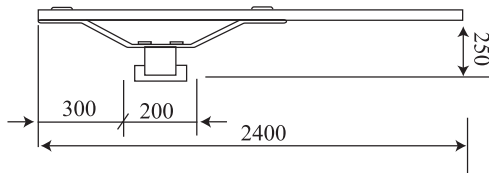
Diving Board

Polyester and fiberglass board, Polyester and fiberglass base. Non-slip board surface. Available lengths: 1,80m, 2,00m, 2,40m. Light blue color

Pool Surrounding

Code	Length	Kg	U
00727718	2.40	70.0	x1

Code	Length	Kg	U
00727719	1.80m	30.0	x1
00727720	2.00m	45.0	x1
00727721	2.40m	60.0	x1



Diving Board with Steel Base

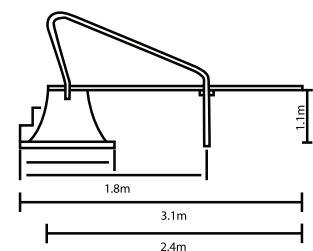
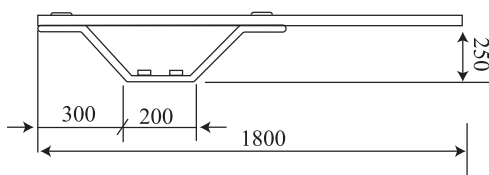
Polyester and fiberglass board, Stainless steel base. Non-slip board surface. Available lengths: 1.8m & 1.4m. Width 0.45. 0.45m Light blue color

Diving Board with Handrails

Polyester and fiberglass board, Fiberglass Steps Single and Double Steps Non-slip board surface. Available lengths: 2m & 2.4m. Width 0.40m. Light blue color

Code	Length	Kg	U
00727722	1.80m	30.0	x1
00727723	1.40m	45.0	x1

Code	Length	Kg	U
00727725	2.00m	30.0	x1
00727726	2.40m	45.0	x1



Pool Surround Equipments



► Hydraulic lift for disabled people



Proteam Europa hydraulic lift Specially made for disabled people. Composed of a tubular structure in stainless steel AISI-316L anchored to the ground by three metallic anchors that hold it, and three points of support, two located on the outside of the pool and a third located in the lower part of the elevator that is supported on the wall of the pool. There are available two commands of actuation, one located at the top of the guide axis that allows the user the actuation from outside of the water, and the other in the fastening axis, which allows the user the actuation from inside the pool.

Maximum capacity of elevation: 120kg

.Fully adjustable

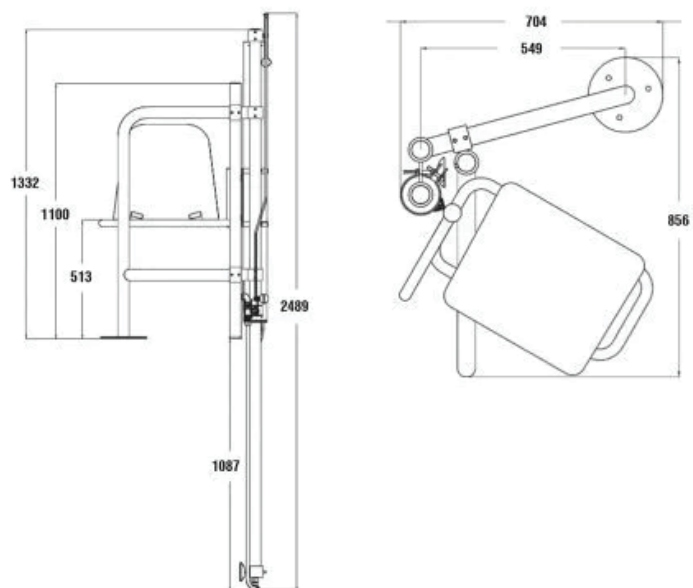
.Radius turn of 150°.

.Water pressure: 3 bar

.Synthetic material, suitable for outdoors

Pool Surrounding

Code	Description
PHL500	SS AISI 316



Pool Surround Equipments



► Portable Pool Lift

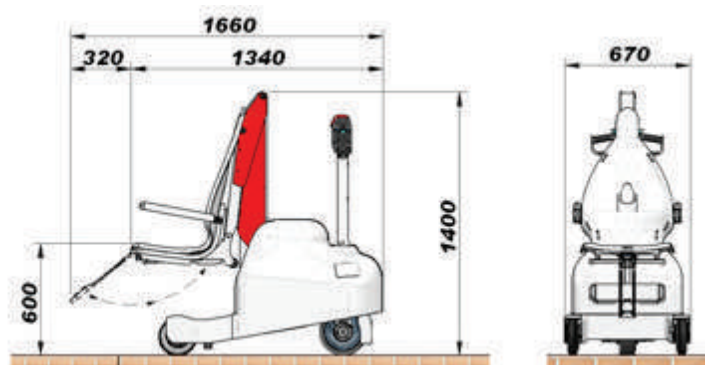


Pool Surrounding

Portable Pool lift , Avant - Grade Technology- 700800

Powered portable pool lift , avant - grade technology -A real dream The latest product created by DiGi project. It is innovative in its features thanks to the control bar with automatic traction, no efforts required by the operator . Improved autonomy and capacity up to 145kg. Maximum safety degree thanks to 8 safety levels. All this makes the universal reference for pool lifts.

Specification of Pool Max arm travel :1500mm | Depth of seat inside the water:900mm Time of lowering with weight:25sec | Time of lifting with weight:18 Sec Weight :260kg | 2 speed automatic handling | Autonomy :100 working cycle Automatic bar , forward motion by up and down control levers | Battery charge level indicator and emergency button Rotating drives wheels radius :200° | Hydroelectric box | Manual emergency operation system in case of failure of electric system Automatic braking system integrated in the wheels. | Safety braking system by means of automatic stoppers to prevent from excessive approach to the water | Infrared ground detector | Safety motion system by means of vertical bar switch off battery 24V | Battery charger | Zinc coated steel frame +180° powder coating finish 2 point safety belt | 4 or 5 point safety belts (on request) | Headrest | Removable leg support Ground fixing kit (on request) | Handset to control up and down movements (on request) | Cover (on request)



Pool Surround Equipments



► Portable Pool Lift 700900



Safety meets the design

Pool lift is a medical device which enables the access to the pool to persons with reduced mobility in a safe, comfortable and functional way. Pool lift is the result of the evolution of the best seller model. Pool lift which has been on the market for over that 10 years. This new pool lift is improved in the design, technology and lifting capacity. In developing this model take care of ensuring all the safety levels, for both the user and the operator, which are present in all the brand devices.

Specification for Pool lift

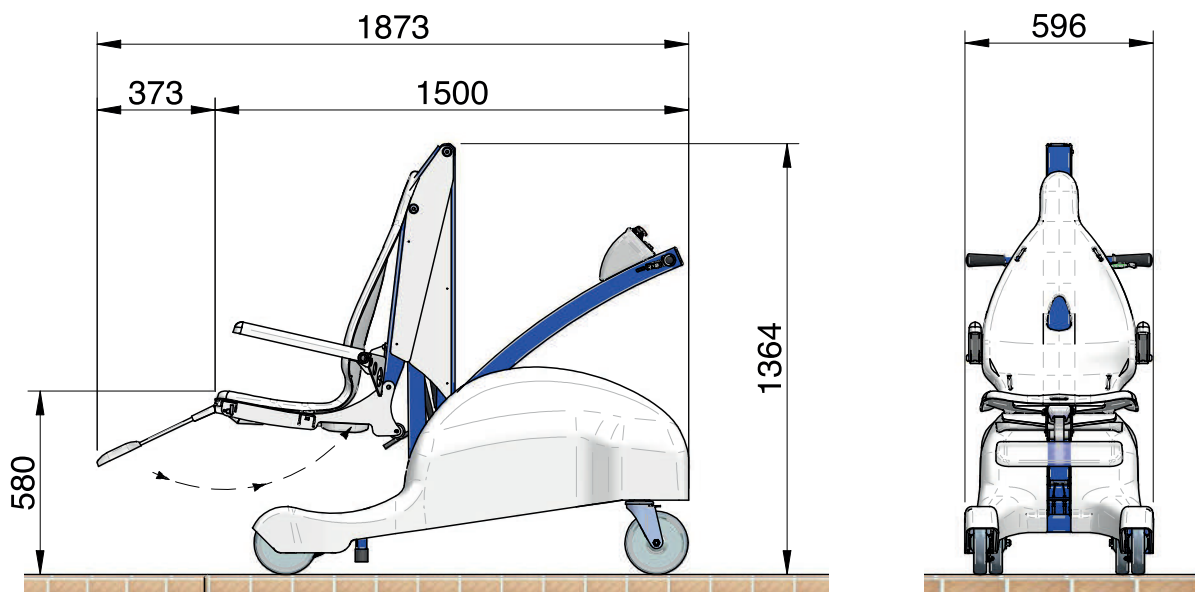
Maximum capacity 140kg | Maximum arm travel 1400kg | Time of lowering with weight 25 sec | Time of lifting with weight 18 sec | Weight of the machine 150kg | Battery 12 V | Power 24 V

Technical Features of Pool Lift

Starting key | Emergency Mushroom shaped button | Battery charge level indicator | External battery charger
Autonomy 80 complete cycle | Hydroelectric box | Manual lowering lifting system in case of problems with the electric system | Brake lever with electric release | Service brake on front wheels | Safety front rubber stoppers
Painted stainless steel frame for the parts in contact with water | 2 point safety belt | Pivoting rear wheels

Optional

Infrared detecting system with sound alarm to monitor nearing to the pool edge. It is to be stopped by braking
Removable leg support
4 point harness
5 point harness
Handset to control lifting and lowering operations in autonomy
Cover



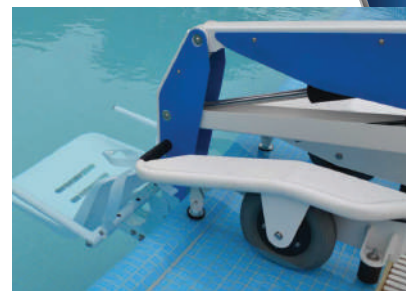
Pool Surrounding



Pool Surround Equipments



► Portable Pool Lift 700600



Pool Surrounding

Portable Pool Lift for People with Disabilities - 700600

Bluone is a device that can transfer people to and from pools, dressing rooms and other places in an easy, smooth and safe manner. Bluone is easy to use. The person simply sits on the seat at the front and is pushed to the edge of the pool. Simply operate the brake and clock position, press the down button and the swimmer is lowered into the pool. It is sufficient to press the up button to lift the seat again and bring it back to the original position.

Innovative Features of Portable Pool Lift

This pool lift has been developed by our skilful engineers after years of experience in providing solutions for people with disabilities. Although designed for wheelchair users, this hoist can assist anyone who struggles to get in and out of a swimming pool. Our company aims to give a real help to those inner needs that are frustrated by everyday difficulties by making a free life whenever you are.

Technical Devices

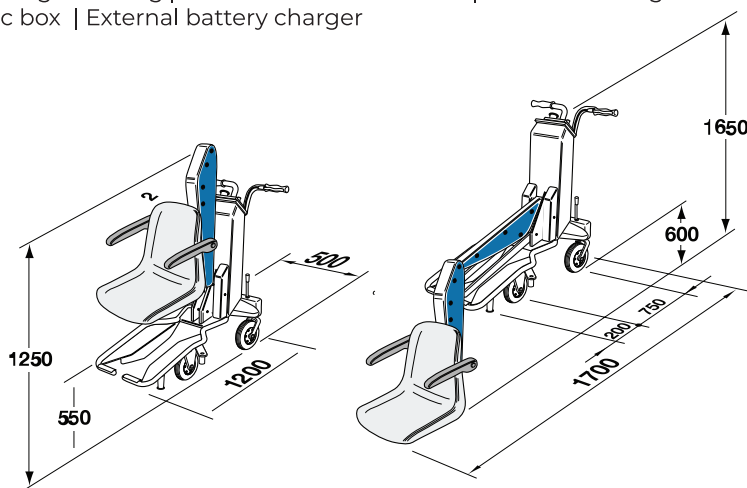
key - starter and emergency stop red button Handbrake - The up and down controls will not operate unless the handbrake is set. The lift is equipped with an emergency manual pump. Use it in case of electrical power failure. Rubber stoppers between front and rear wheels to prevent the lift from falling into the water. As the arm lowers, two steel rubber capped support provides additional stability. Emergency manual pump. Automatic rubber capped support.

Accessories

Headrest - To be fitted to the lifting arm, at the back of the seat | Harness - 5 point harness with pelvic fastening for serious disabilities | Cover - to protect bluone from atmospheric agents | Ramp - to sketch according to the pool edge

Features /Materials / Equipment

Lifting capacity - 110Kg | Max.travel - 1150mm | Time of down - lifting with weight - 23 sec Time of up - lifting with weight - 17 sec | Total weight - 120Kg | Frame - Zinc coated steel | Powder coating finish -180° | Battery -24V | Power - 12V | Electrohydraulic box | External battery charger



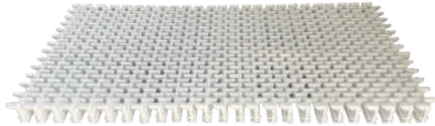
Pool Surround Equipments



► Gratings

Anti-Slip Design Grating White Color

Proteam Europa overflow gratings made of UV protected white ABS with unique anti spill design, the water will never spill on to the deck of the pool. 45 units in single linear meter. Also available in different colours.



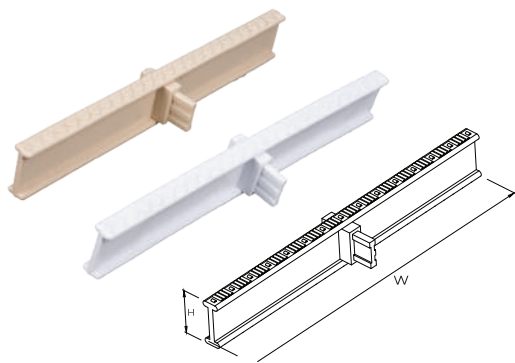
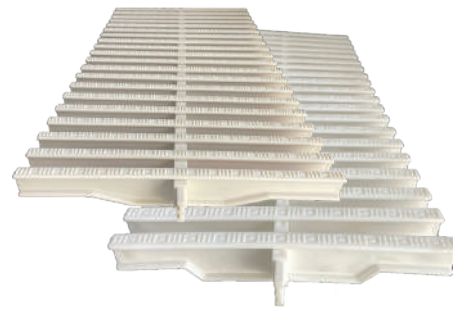
Code White	Code Beige	Height (mm)	Width (mm)	Packing (m)
00831953	00831954	30	195	5
00832453	00832455	30	245	5
00832953	00832956	30	295	5
00833353	00833357	30	335	5

Pool Surrounding

Standard Modular Gratings 22 mm Height

Proteam Europa overflow gratings made of UV protected High Grade PP with unique anti spill design, the water will never spill on to the deck of the pool. 45 units in single linear meter. Also available in different colours.

Code White	Code Beige	Height (mm)	Width (mm)	Packing (m)
00811950	00811951	22	195	10
00812450	00812452	22	245	10
00812950	00812953	22	295	5
00813350	00813354	22	335	5



Standard Modular Gratings 35 mm Height

Code White	Code Beige	Height (mm)	Width (mm)	Packing (m)
00811955	00811959	35	195	5
00812456	00812460	35	245	5
00812957	00812961	35	295	5
00813358	00813362	35	335	5

CORNER TILES 90°/45°

Proteam Europa corner tile made of UV protected high grade PP and it is available in different colours

Code 90°	Code 45°	Height (mm)	Width (mm)	Packing (m)
00821990	00821992	22	195	6
00822490	00822493	22	245	6
00822491	00822494	22	295	6
00822990	00822995	35	195	6
00823390	00823396	35	245	6
00823391	00823397	35	295	6



Pool Surround Equipments



► Gratings

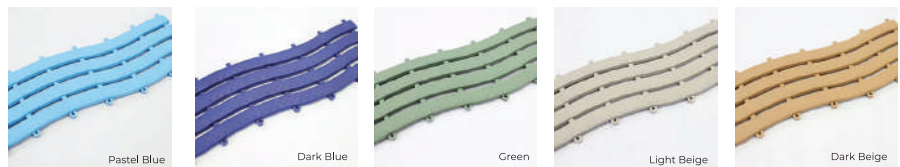


Grating Support

Proteam Europa overflow grating profile made of high grade UV protected made of PP. Supplied in 2m length

Code White	Code Beige	Height (mm)	Width (mm)	Packing (m)
00812235	00812236	2000	22/35	50

Ultima Leisure activity matting

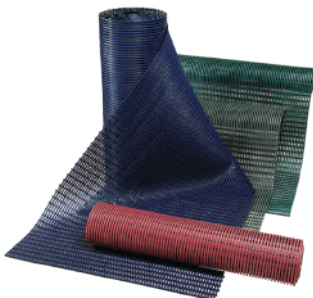


Ultima wet area mat is ideal for swimming pool surrounds, showers, spas, saunas and changing rooms. The curved design allows water to easily drain off, providing a slip-resistant, safe and dry surface. It is also warm and comfortable and ideal for barefoot traffic. This mat is the ideal way of covering large areas. Tiles have a built-in connecting system that allows rolls to be easily interlocked lengthwise. Rolls can be assembled next to each other with separate connectors (3-4 units/meter).

Code	Description	Roll Length	Roll Width	Roll Thickness
Ultima	Anti microbial UV - resistant PE/EVA, 100% recycleable	16 m	0.58 m	9 mm

Hero Leisure activity matting

Made from strong, flexible PVC sections with new channelled underbars for increased drainage of large amounts of water. Heronrib embossed, slip-resistant surface is warm and comfortable to stand on – even with bare feet.



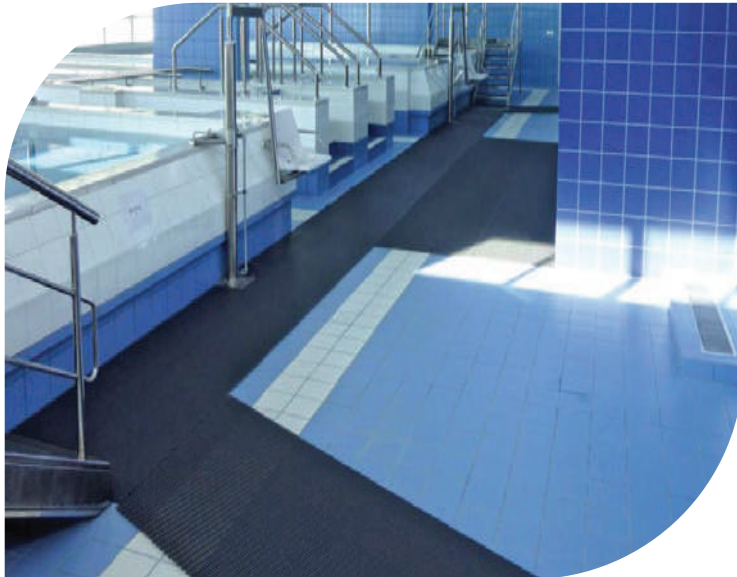
Code	Description	Roll Length	Roll Width	Roll Thickness
Hero 50	Activity matt	10 m	0.50 m	10mm
Hero 100	Activity matt	10 m	1 m	10mm



Pool Surround Equipments

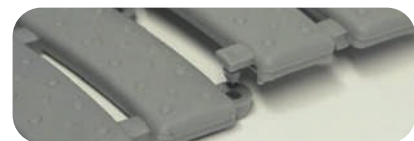
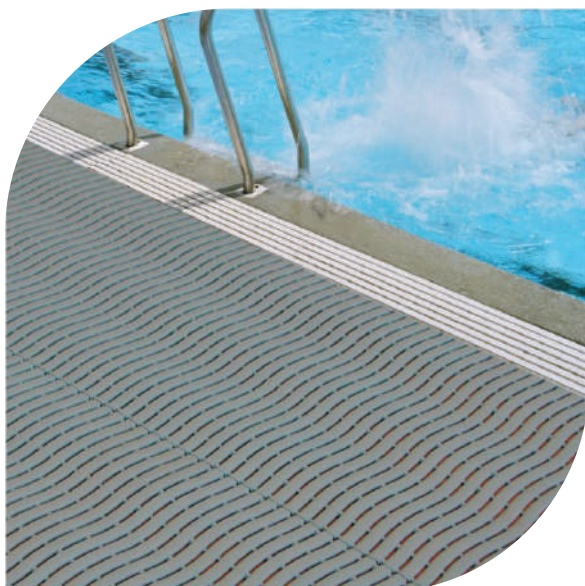


► Leisure Activity Matting



Pool Surrounding

RESISTANCE	BARE FEET	HYGIENIC	DRAINAGE/ SPILLAGE	WARMTH & COMFORT



Built in connection system that allows roll to be easily interlocked lengthwise



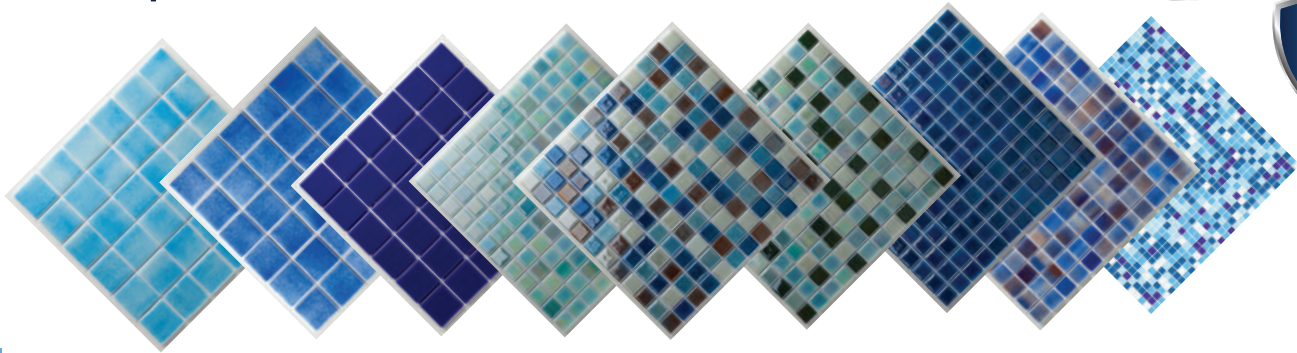
Rolls can be assembled next to each other with separate connectors



Pool Surround Equipments



► Antislip Glass Mosaic Tiles



Pool Surrounding



Code: F-01 - Size: 50 x 50mm



Code: F-02 - Size: 50 x 50mm



Code: G-31 - Size: 50 x 50mm



Code: A-161 - Size: 25 x 25mm



Code: A-202 - Size: 25 x 25mm



Code: A-203 - Size: 25 x 25mm



Code: RM-48 - Size: 25 x 25mm



Code: A-155 - Size: 25 x 25mm



Code: A-250 - Size: 25 x 25mm

Antislip Glass Mosaic Tiles

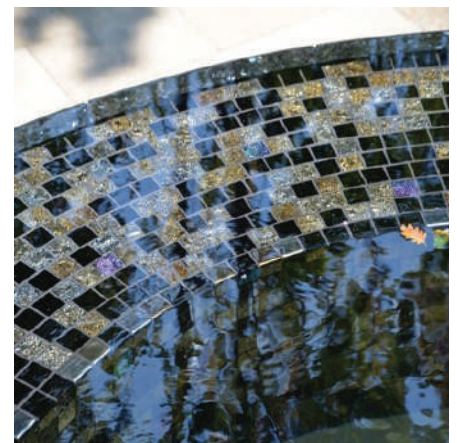
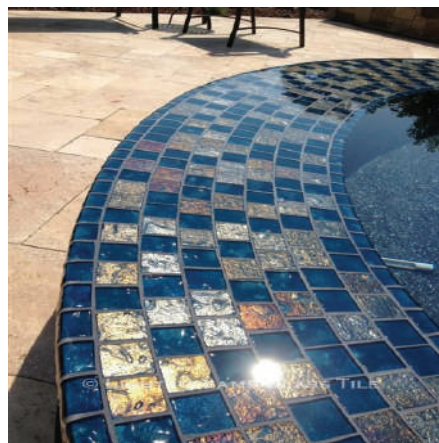
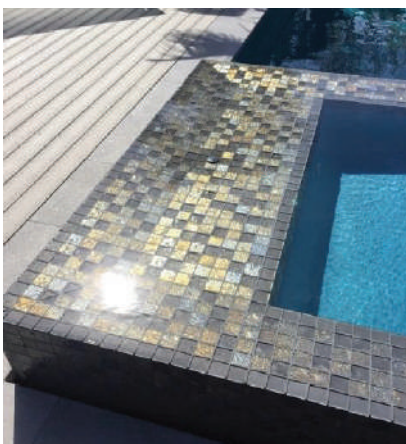
Create elegant pools through unlimited colour and tissue alternatives Mosaic carries the luminance of the glass to the pool linings. By preparing in fast colours and high temperature, creates authentic swimming pools through various colour and tissue alternatives. The range of colours shown here should only be taken as an approximation to reality.

Thickness

25 x 25 mm = 5.5 mm
50 x 50 mm = 5.8 mm

Available Options

Paper Mounted | Net Mounted | PVC film Mounted



Pool Surround Equipments



► PROTEAM Europa PVC - P Coated Linings



Model A1
Edge tile in 100% porcelain
Size L 24.5cm x W 12.2cm x H 2cm



Model A2
Anti slip Adjacent tile in 100% porcelain
Size L 24.5cm x W 12.2cm x H 2cm



Model A3
Anti slip Ladder tile in 100% porcelain
Size L 24.5cm x W 12.2cm x H 2cm



Model A5
Anti slip Deck tile in 100% porcelain
Size L 33cm x W 33cm x H 2cm



Model A4
Anti slip Glooved tile in 100% porcelain
Size L 24.5cm x W 24.5cm x H 2cm

Pool Surrounding

PROTEAM Europa PVC - P Coated Linings

Are suitable for lining swimming pools, tanks, ponds and lagoons as a permanently sealed membrane. The structure of ground condition must be stable and capable of supporting the lining material and contained water pressure. The lining must extend above the highest water level and be secured and sealed at edges to prevent water infiltration to the underside of the membrane. The lining sheets are laid loosely so that they can bridge any movements or cracks in the building caused for example by shrinkage. It must be taken into account that condensation may occur on the side away from the water. We recommend to provide secondary outlets or discharge bores below the lining.

Plain and Printed Colours

- L1 - White
- L2 - Sand
- L3 - Grey
- L4 - Black
- L5 - Light Blue
- L6 - Navy Blue
- L7 - Caribbean Green
- L8 - Servanne
- L9 - Mosaic



Pool Surround Equipments



► Natural Coping Stones - Model B001

Pool Surrounding



California



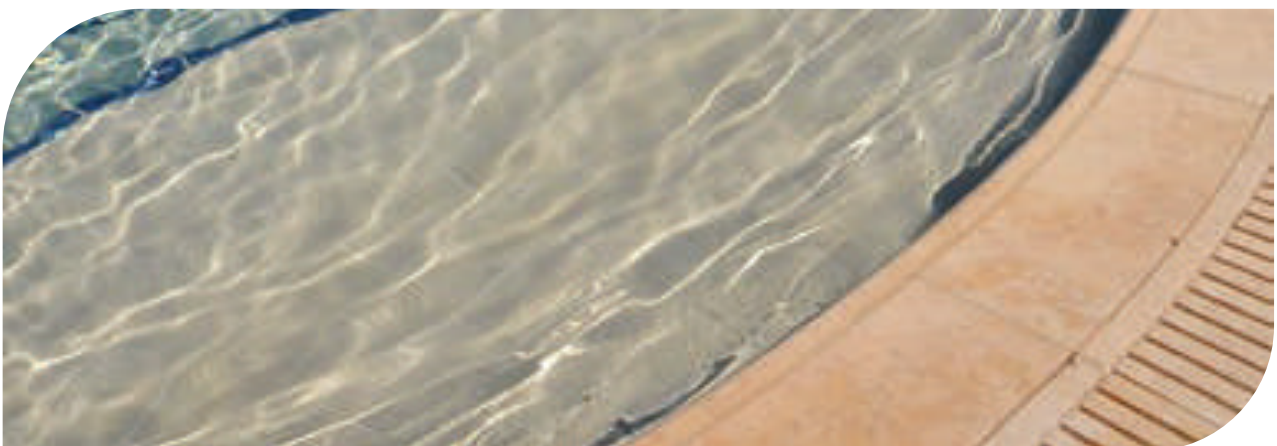
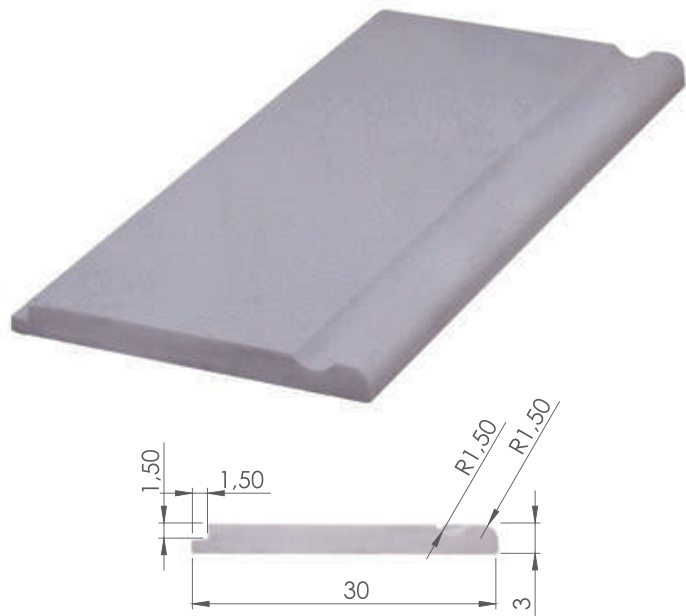
Kavalas



Silver Grey



Sunny



Pool Surround Equipments



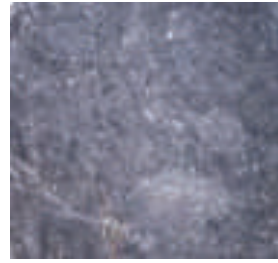
► Natural Supporting Stones - Model B002



California



Kavalas



Silver Grey



Sunny

Pool Surrounding



Pool Surround Equipments



► Natural Coping Stones - Model B003



California



Kavalas

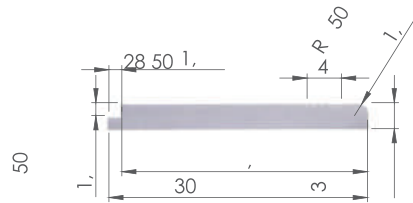
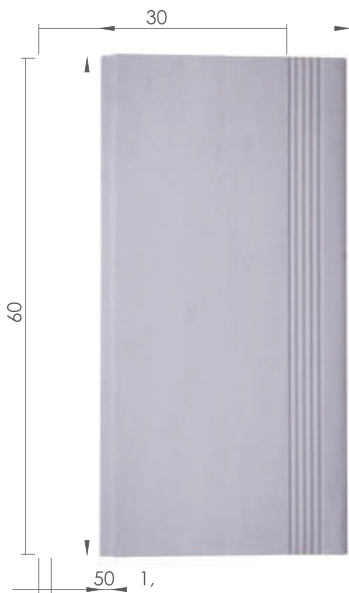


Silver Grey



Sunny

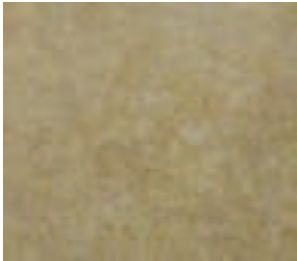
Pool Surrounding



Pool Surround Equipments



► Natural Edge Tiles - Model B004



California



Kavalas

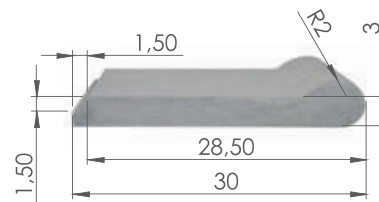


Silver Grey



Sunny

Pool Surrounding



Pool Surround Equipments



► Natural Stone for Owerflow - Model B005



California



Kavalas

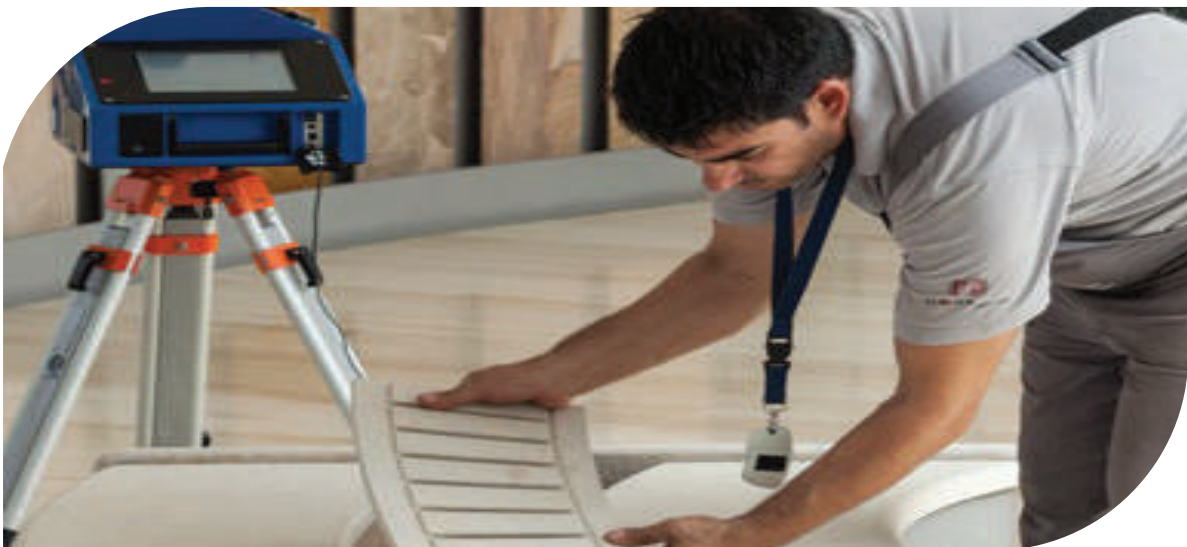
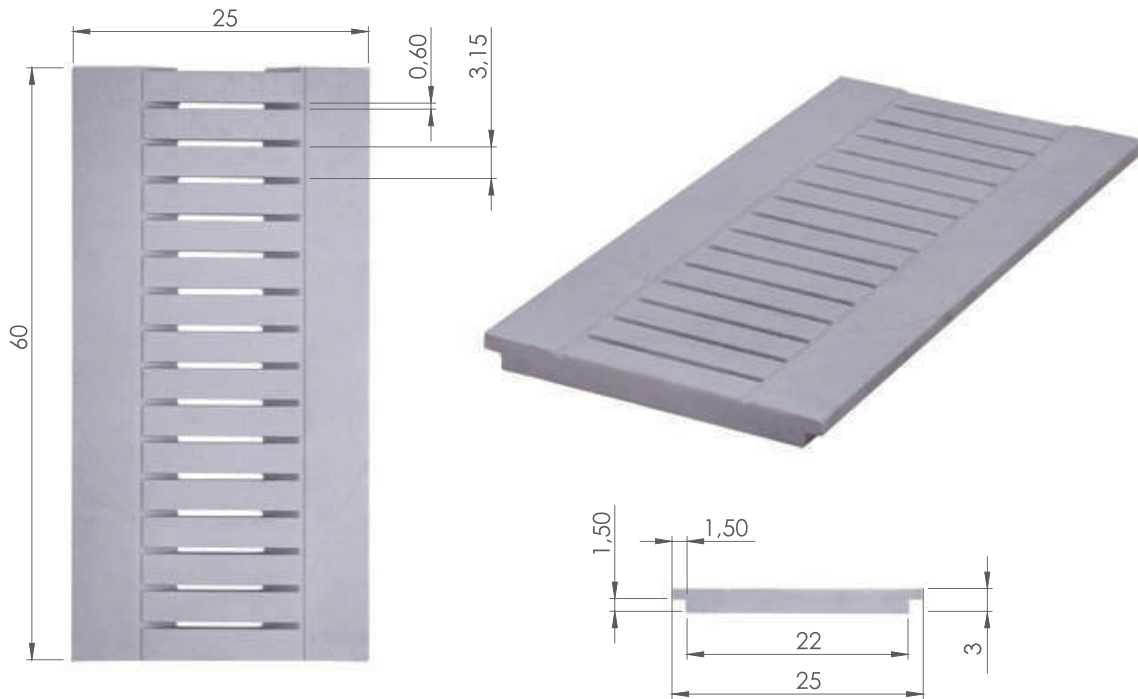


Silver Grey



Sunny

Pool Surrounding



Pool Surround Equipments



► Natural Stone for Owerflow - Model B006



California



Kavalas

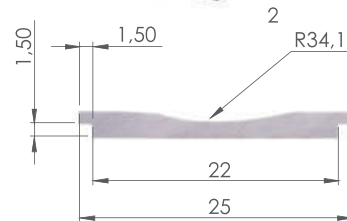
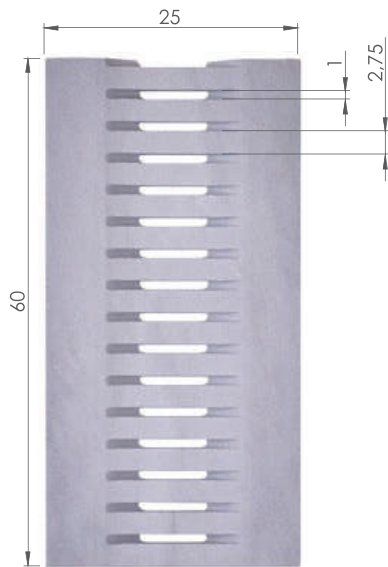


Silver Grey



Sunny

Pool Surrounding



Pool Surround Equipments



► Natural Stone for Owerflow - Model B006



California



Kavalas



Silver Grey



Sunny

Pool Surrounding

