

A nighttime photograph of a tropical resort. In the foreground, a calm body of water reflects the lights from a building in the background. The building is a two-story structure with a thatched roof, illuminated from within, and is surrounded by several tall palm trees. The sky is a deep twilight blue.

POOL SHELL EQUIPMENTS

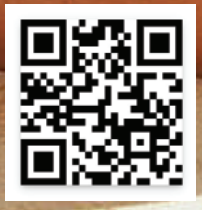




POOL SHELL EQUIPMENTS



Standard Skimmer	162
Wide Mouth Skimmer	164
Stainless Steel Skimmer	166
Spa Skimmer	168
Corner Skimmer	170
Inlet and Vacuum Point	172
Stainless Steel Fittings	178
Main Drain	182
Main Drain Grill - Frame & Grate	186
Water Level Regulator	188
Accessories	189



Pool Shell Equipments



► Skimmer Standard



Concrete Pools

Code	Description	U
00900109	Standard Skimmer White ABS	x1

Liner Pools

Code	Description	U
00900111	Standard skimmer- Liner Pools	x1



Concrete Pools with Extended Throat

Code	Description	U
00900110	Concrete pools with Extended throat	x1

Liner Pools with Extended Throat

Code	Description
00900112	Skimmer for liner pool

Skimmer Standard

Skimmer for concrete and liner pools. Manufactured in white ABS with top square lid and frame. With flap and flow regulation plug. Supplied with extra strong plastic basket with handle. Skimmer has an option of 3 connection sizes: 1.5" internal threaded, 2" threaded and 50 mm diameter for gluing. Overflow connection of 40 mm diameter. Max. recommended flow is 5m³ /h. For optimum results it is recommended to use 1 skimmer per 25m² of pool surface area. The skimmer suction can also be used for vacuum cleaning the pool floor.



Pool Shell Equipments



► Wide Mouth Skimmer



Concrete Pools with Square LID and Frame

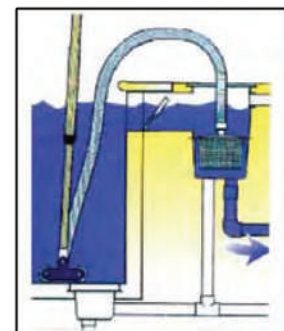
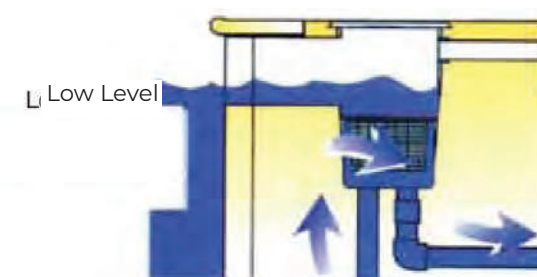
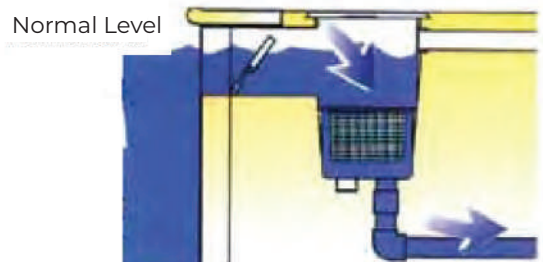
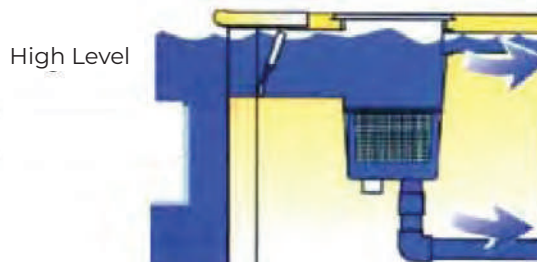
Code	Description	U
00900113	Skimmer wide Mouth for Concrete Pool	x1

Liner Pools with square Lid and Frame

Code	Description	U
00901112	Skimmer wide Mouth for Liner Pools	x1

Wide Mouth Skimmer

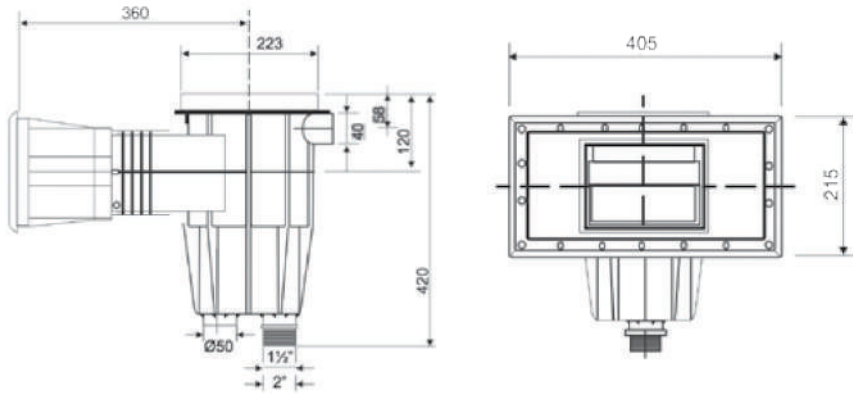
Skimmer for concrete and liner pools. Manufactured in white ABS with top square lid and frame. With flap and flow regulation plug. Supplied with extra strong plastic basket with handle. Skimmer has an option of 3 connection sizes 1 1/2" internal threaded, 2" threaded and 50mm diameter for gluing. Overflow connection of 40 mm diameter. Max recommended flow is 7.5 m³/h. For optimum results it is recommended to use 1 skimmer per 25 m² of pool surface area. The skimmer suction can also be used for vacuum cleaning the pool floor. Due to the wider mouth opening, the skimmer is able to cover a greater surface area of the pool water, making it ideal for free shape pools with more acute bends and curves, and also for pools with less depth but more surface area.



Pool Shell Equipments

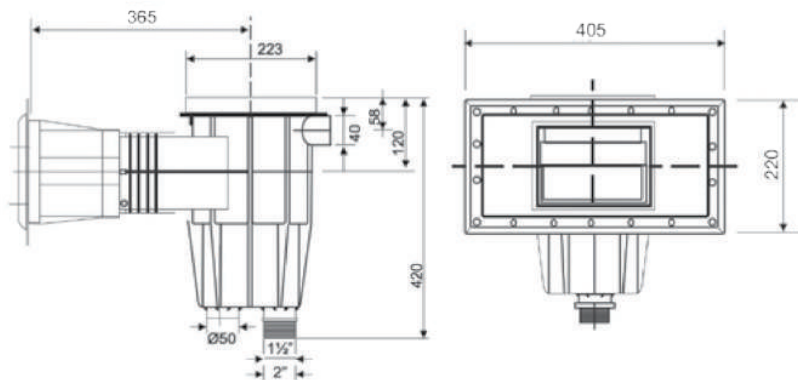


► Wide Mouth Skimmer



00900113

Pool Shell Equipments



00901112



Pool Shell Equipments



► Stainless Steel Skimmer



Square Lid

Standard SS Skimmer

Proteam Europa standard skimmer made in ABS with S.S. AISI-316 faceplate as a decorative frame. Recommended flow 5m³/h

Wide Mouth SS Skimmer

Proteam Europa wide mouth skimmer made in ABS with S.S. AISI-316 faceplate as a decorative frame. Recommended flow 5m³/h

Skimmer for Concrete Pool

Code	Description						
00901113	Standard skimmer with SS face plate						
Dimension							
Code	a	b	c	d	Kg	m ³	U
00901113	264	7	198	139	2.65	0.04	x2

Skimmer for Concrete Pool

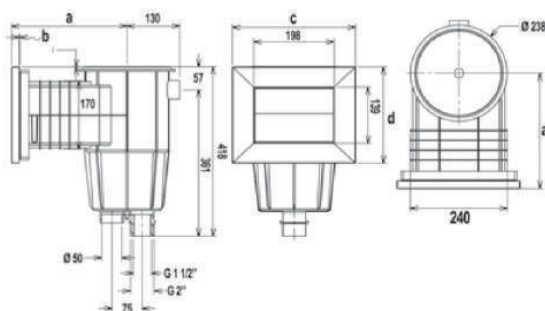
Code	Description					
00901115	Wide mouth skimmer with SS face plate					
Code	a	b	Kg	m ³	U	
00901115	430	2.8	6.2	0.108	x2	

Skimmer for Liner Pool

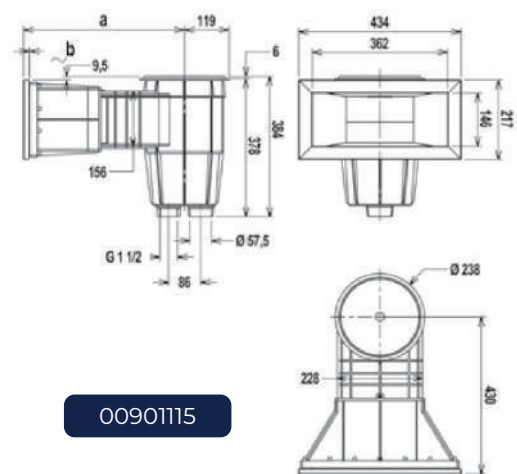
Description							
00901114	Standard skimmer with SS face plate						
Dimension							
Code	a	b	c	d	Kg	m ³	U
00901114	285	3	303	237	2.75	0.04	x2

Skimmer for Liner Pool

Code	Description					
00901116	Wide mouth skimmer with SS face plate					
Code	a	b	Kg	m ³	U	
00901116	414	0	6.2	0.108	x2	



00901113



00901115



Pool Shell Equipments



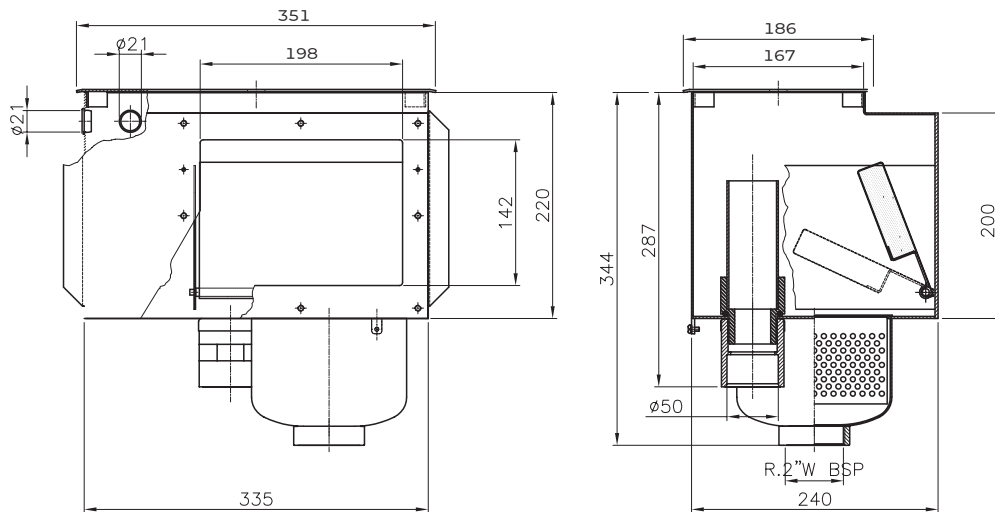
► Stainless Steel Skimmer



SS Skimmer

Proteam Europa skimmer made in S.S. AISI-316 with dia 50mm overflow. Stainless steel basket and lid included. Basket capacity 1.2 L comes with housing assembly. Recommended flow 7.5 m³.

Code	Description	Connection	Volume	Weight	U
00902360	SS Skimmer with face plate	2"	0.05	9kg	x1



► Spa Skimmer



Pool Shell Equipments

Spa Skimmer & Skim Filters

Proteam Europa spa skimmer in UV treated white ABS. Connection 1.5" used in concrete and liner pool. Flow rate 4m³/hr

Code	Description	U
00901015	Square Spa Skimmer 1.5 S/2* Spigot - Flow Control with Trim Plate	x1

Spa Skimmer & Skim Filters

Proteam Europa spa skimmer in UV treated white ABS with skim filters Connection 1.5" used in concrete and liner pool. Flow rate 4m³/hr

Code	Description	U
00901016	Square Spa Skim filter 1.5 S/2* Spigot - 10 m ²	x1



Spa Skimmer & Skim Filters

Proteam Europa spa skimmer in UV treated white ABS with Skim Filters Connection 1.5" used in concrete and liner pool. Flow rate 4m³/hr

Code	Description	U
00901017	Square Spa Skimmer 1.5 S/2* Spigot - 20m ²	x1

Spa Skimmer

Proteam Europa spa skimmer made in white ABS and connection 1½" Recommended flow 3m³/hr

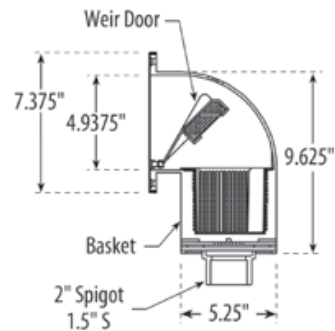
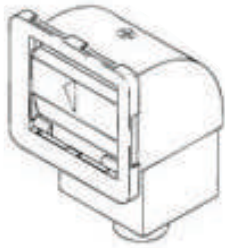
Code	Description
00901010	Skimmer 1.5" + Standard Nut
00901012	Skimmer Filter 1.5" + Standard Nut 90° EII
00901013	Skimmer 1.5" X Straight Adapter Nut
00901014	Adjustable Strip Skimmer with Line Basket 1.5" X S EII



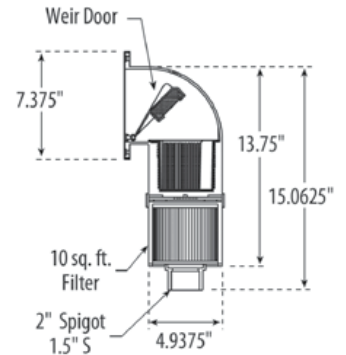
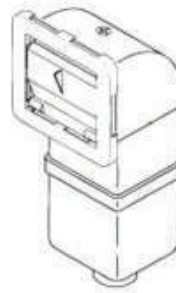
Pool Shell Equipments



► Spa Skimmer

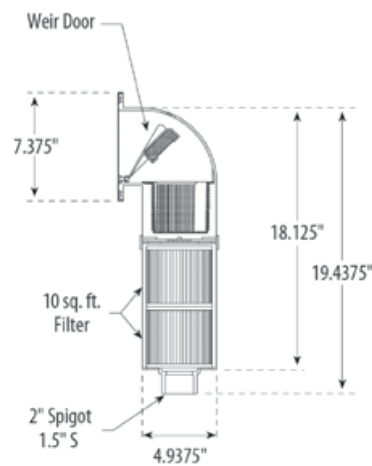
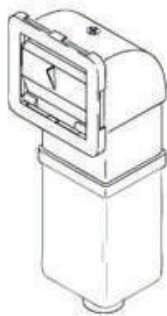


00901015

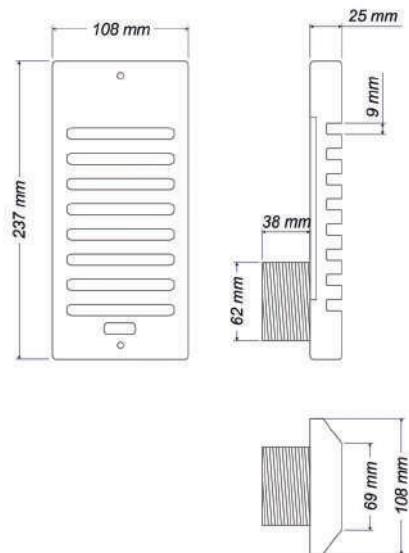


00901016

Pool Shell Equipments



00901017



00901010



Pool Shell Equipments



► Corner Skimmer



Pool Shell Equipments

Code	Description
00902352	Right corner skimmer for concrete pool
00902353	Left corner skimmer for concrete pools
00902354	Right corner skimmer for liner pools
00902355	Left corner skimmer for liner pools

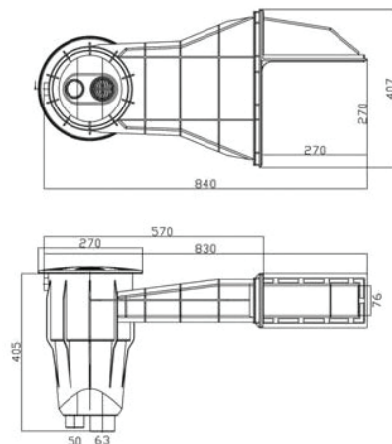
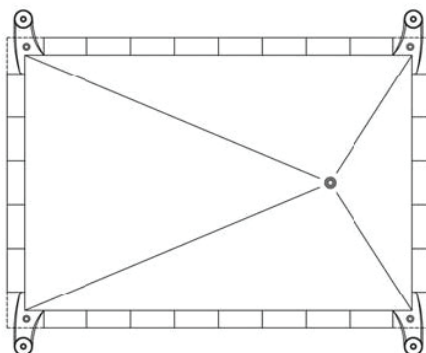
Specification

An exclusive and unique design built with state of the art technology, fully injected 100% one piece body. It is known that all suspended impurities present in water have a tendency to float towards corners and edges, this due to the vortex effect of a surface area in water and also due to winds that blows on the water surface itself. Our patented corner skimmer has a natural funnel design creating a prime effect on the water surface thus guaranteeing a much higher capture of suspended matter present on the water surface. This create a suction effect that drags the impurities towards the skimmer naturally. This product is designed and built to increase the water level creating a similar effect as an overflow pool not obtainable with conventional skimmers presents on the market. This innovative system guarantees not only to look like a conventional overflow pool but also to obtain a more rapid, economical and superior cleanness of the pool water. Supplied with a floater system, it can be installed in any type of pool whether prefabricated or cement type.

Fully automatically injected, guaranteeing constant re-productivity all in one piece High flow rate 14m³/hour | Venturi effect granting higher water level in respect of traditional skimmers | Incorporated floater system | Suitable for both 50mm or 63mm. pipes | Low noise | Uniqe design - corner assembly Simple to maintain

Left Corner

Right Corner



Pool Shell Equipments



► High Water Level Skimmer



Code	Description	Weight
00902356	Skimmer for panel and concrete pools	5 kg

Code	Description	Weight
00902357	Skimmer for panel and Liner pools	5 kg

Pool Shell Equipments

Specification

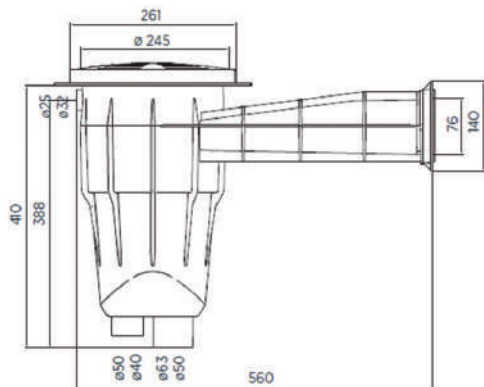
Proteam Europa high water level skimmer for liner pool and made in high grade UV protected white ABS. Front faceplate connected with 14 brass inserts with stainless steel screw. Connection 50mm and 63mm Flow rate 15m³/h skimmer basket made of polypropylene.

ABS body with 14 x brass inserts M6 | System Ø32M 25F | ABS floating weir for overflow skimmer Polypropylene basket for skimmer | ABS skimmer cover & frame cover (cover anti - intrusion device) Skimmer kit | ABS Adapter Ø50M 1½

Technical Features

Flow rate for Ø50 connection : 9.82 m³/h

Flow rate for Ø63 connection : 15.61m³/h



Pool Shell Equipments



► Inlets & Vacuum Points



Multiflow Wall Inlets Threaded

Made in white ABS with 2" thread for outer connection and 50mm for inner connection. Flow rate 7m³/h

Code	Description	Connection	U
00902021	Wall inlet for concrete	2"	x1



Multiflow Wall Inlets Glue

Made in white ABS with 2" glue outer connection and 50mm inner connection flow rate 7m³/h

Code	Description	Connection	U
00902022	Wall inlet for concrete	2"	x1



Vacuum Point - Glue

Vacuum point for concrete pool made in white ABS with 50 mm dia internal and 2" Ø external for glue, Can be used with wall conduit

Code	Description	Connection	U
00902025	Vacuum point Glue	2"	x1



Vacuum Point - Threaded

Vacuum point for concrete pool made in white ABS with 50 mm dia internal and 2" Ø external for thread, Can be used with wall conduit

Code	Description	Connection	U
00902024	Vacuum point Thread	2"	x1



Multiflow Wall Inlets - Liner Pools

Made in white ABS with 2" thread for outer connection and 50mm for inner connection. Flow rate 7m³/h

Code	Description	Connection	U
00902023	Wall inlet for liner	2"	x1



Vacuum Point - Liner Pools

Vacuum point for concrete pool made in white ABS with 50 mm dia internal and 2" Ø external for thread, Can be used with wall conduit

Code	Description	Connection	U
00902026	Vacuum point Thread	2"	x1

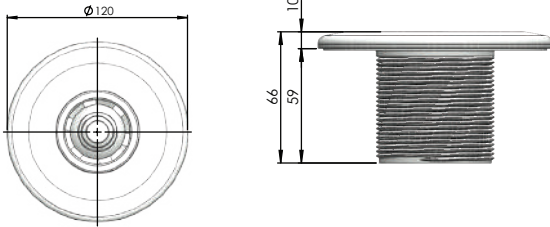
Proteam Europa inlet made in white ABS. The nozzle is comprised of concentric eyeballs of 14 mm, 20 mm & 25 mm fitted one inside the other like onion rings. With the help of the eyeball cutter, it is possible to select the desired water flow rate. Max. recommended flow rate for 14 mm dia 2m³/h - 20 mm dia 4.5 m³/h - 25 mm dia 7.0 m³/h. Available in options for concrete and liner pools.



Pool Shell Equipments



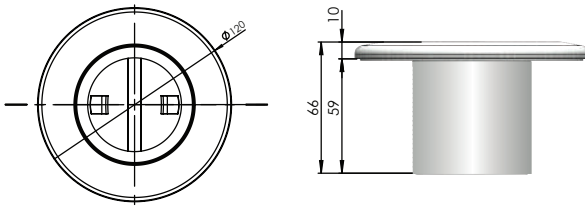
► Inlets & Vacuum Points Diagram



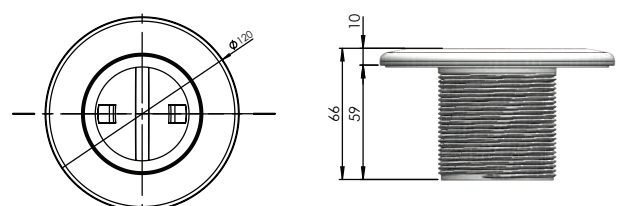
00902021



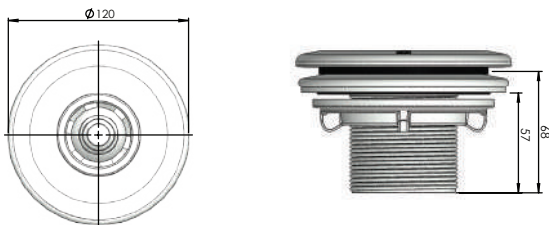
00902022



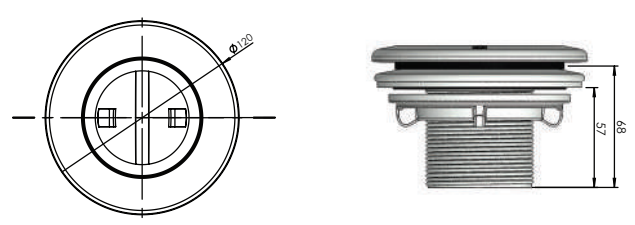
00902025



00902024



00902023



00902026

Pool Shell Equipments



Pool Shell Equipments



► Floor Inlets & Overflow Drains



50 mm internal - 2" external threaded for concrete pools.

Code	Description	Size	U
00902027	Glue	2"	x1
00902358	Thread	2"	x1

Its unique design permits 360° dispersion of fresh water in the pool. Made of white ABS plastic & totally resistant to pool chemicals. Fitted with SS Screw max. Recommended flowrate: 14m³/h, however, flow rate can be manually regulated with the help of an adjustable screw fitted in the top center of the nozzle.



Floor Inlets for Liner Pool

50 mm internal - 2" External Thread for Liner Pools.

Code	Description	Flow	U
00902360	Thread	14m ³ /h	x1



50 mm internal - 2" external Thread and Glue for Concrete pools.

Code	Description	Size	U
00902028	Thread	2"	x1
00902359	Glue	2"	x1



Overflow Gutter Drain Stainless Steel 316

2" connection thread type internal for gluing Max. Recommended flow rate 14m³/h at 0.8m/Sec velocity and 14m³/h at 1.5 m Sec velocity

Code	Flow	Connection	U
00902109	14m ³ /h	2"	x1



Overflow Gutter Drain

Overflow gutter drain made of white ABS plastic. SS Screw. To be installed at the bottom of the overflow gutter. 50mm internal & 63mm external for gluing Max. Recommended flow rate 9m³/h and 14m³/h

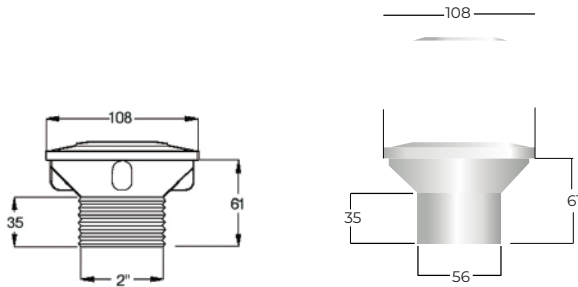
Code	Flow	Connection	U
00902029	9m ³ /h	50mm / 1.5"	x1
00902030	14m ³ /h	63mm / 2"	x1



Pool Shell Equipments

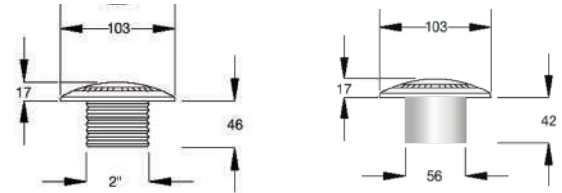


► Floor Inlets & Overflow Drains Diagram



00902027

00902358

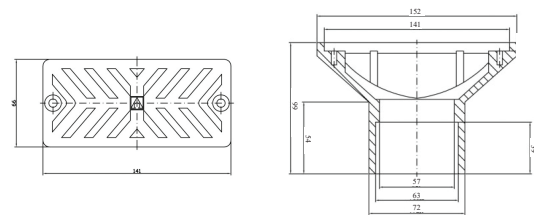


00902028

00902359

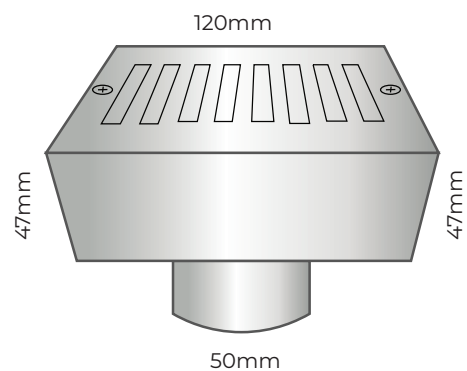
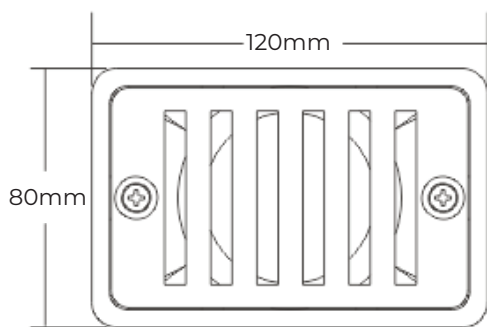


00902360



00902029

00902030



00902109

Pool Shell Equipments





SS FITTINGS

POOL FITTING RANGE IN STAINLESS STEEL



Pool Fittings



► Stainless Steel Fittings



Return Inlet with S.S AISI 316 Face Plate

Proteam Europa ABS return inlet with SS face plate, recommended flow 5m³/h according to UNE-EN 13451-1

Code	Description	Connection	U
00902101	Thread-Concrete	2"	x1
00902103	Thread-Liner	2"	x1



Return Inlet with S.S AISI 316 Face Plate

Proteam Europa ABS return inlet with SS face plate, recommended flow 5m³/h according to UNE-EN 13451-1

Code	Description	Connection	U
00902115	Glue-Concrete	2"	x1



Vacuum Inlet with S.S AISI 316 Face Plate

Proteam Europa ABS Vacuum point with SS face plate

Code	Description	Connection	U
00902104	Thread-Concrete	2"	x1
00902106	Thread-Liner	2"	x1



Vacuum Inlet with S.S AISI 316 Face Plate

Proteam Europa ABS Vacuum point with SS face plate

Code	Description	Connection	U
00902116	Glue-Concrete	2"	x1



Adjustable Bottom Inlet With S.S. 316 Face Plate

Proteam Europa ABS Vacuum point with SS face plate recommended flow 14m³/h

Code	Description	Connection	U
00902107	Thread-Concrete	2"	x1
00902108	Thread-Liner	2"	x1



Adjustable Bottom Inlet With S.S. 316 Face Plate

Proteam Europa ABS Vacuum point with SS face plate recommended flow 14m³/h

Code	Description	Connection	U
00902117	Glue-Concrete	2"	x1

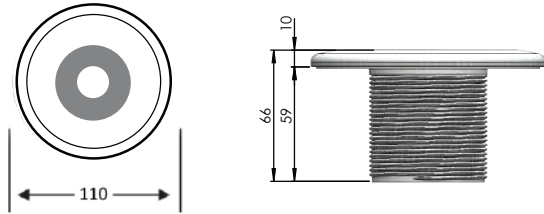
Pool Shell Equipments



Pool Fittings

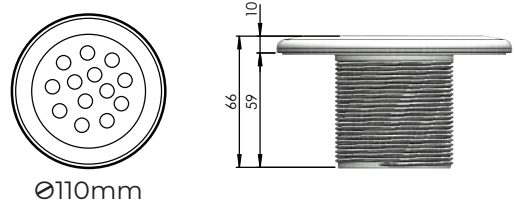


► Stainless Steel Fittings



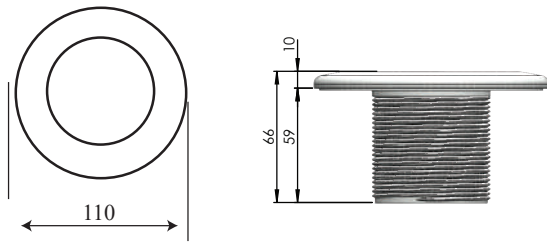
00902101

00902103



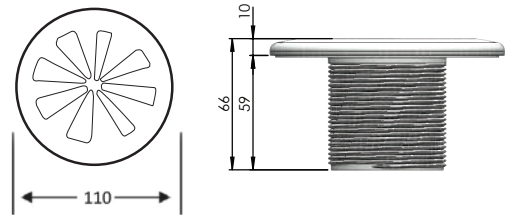
00902102

00902105



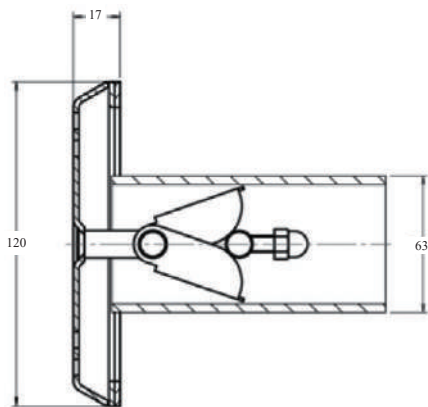
00902104

00902106

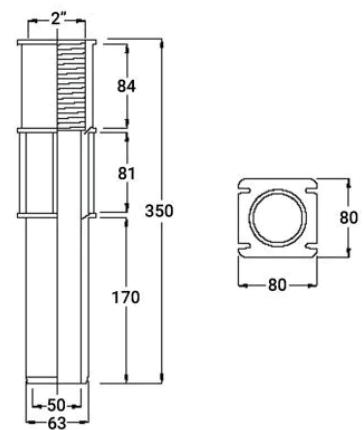


00902107

00902108



00902112



00902033

Pool Shell
Equipments



Pool Fittings



► Stainless Steel Fittings



Return Inlet with S.S AISI 316 Face Plate

Proteam Europa ABS return inlet with SS face plate, recommended flow 7m³/h

Code	Description	Connection	U
00902102	Thread-Concrete	2"	x1
00902105	Thread-Liner	2"	x1



Return Inlet with S.S AISI 316 Face Plate

Proteam Europa ABS return inlet with SS face plate, recommended flow 7m³/h

Code	Description	Connection	U
00902118	Glue -Concrete	2"	x1

Pool Shell Equipments



Antivortex Suction Inlet

Made in stainless steel AISI 316.
Antivortex suction inlet

Code	Description	Flow	U
00902112	Concrete	15m ³ /h	x1
00902113	Concrete	25m ³ /h	x1
00902114	Concrete	40m ³ /h	x1



ABS WALL CONDUITS

Made of grey ABS - Length 300 mm. Front of the conduit is 63 mm internal non-threaded and the rear is 2" external threaded. The conduit is suitable for use with vacuum nozzle wall inlet and mini lights. The conduits have 2 holes for taut positioning in the concrete.

Code	Description	Connection
00902031	Glue	2"
00902032	Thread	2"



S.S. WALL CONDUITS

Made in S.S. AISI-304. Connection 2" female and male thread. The conduit is suitable for use with vacuum nozzle wall inlet and mini lights. The conduits have 2 holes for taut positioning in the concrete.

Code	Description	Connection
00902214	Thread	2"



ABS WALL CONDUITS

Made of grey ABS - Length 350 mm. Front of the conduit is 63 mm internal non-threaded and the rear is 2" external threaded. The conduit is suitable for use with vacuum nozzle wall inlet and mini lights. The conduits have 2 holes for taut positioning in the concrete.

Code	Description	Connection
00902033	Thread	2"



Pool Fittings



► SS Inlets & Wall Conduits



S.S. Return Inlet

Male connection 1.5" Completely made in S.S. AISI-316 Recommended flow 5 m³/h Complies with EN 13451-3 standard Ball 20 mm

Code	Description	Connection	U
00902210	Concrete	2"	X1
00902211	Liner Pool	2"	X1
00902221	Concrete	1.5"	X1
00902222	Liner Pool	1.5"	X1



S.S. Suction Inlet with cap

Male connection: 1.5" Completely made in S.S. AISI-316 with lid

Code	Description	Connection	U
00902212	Concrete	2"	X1
00902213	Liner Pool	2"	X1
00902223	Concrete	1.5"	X1
00902224	Liner Pool	1.5"	X1

Pool Shell Equipments



S.S. Wall Inlet

Male connection 2" Completely Made in SS AISI-316 Recommended Flow 5 m³/h

Code	Description	Connection
00902225	Concrete	2"
00902226	Liner Pool	2"
00902227	Concrete	1.5"
00902228	Liner Pool	1.5"



S.S. Suction Inlet

Male connection: 1.5" Completely made in S.S. AISI-316 with lid

Code	Description	Connection	U
00902231	Concrete	2"	X1
00902232	Liner Pool	2"	X1
00902233	Concrete	1.5"	X1
00902234	Liner Pool	1.5"	X1



S.S. Floor Inlet

Male connection 2" Completely Made in SS AISI-316 Recommended Flow 14 m³/h

Code	Description	Connection
00902229	Liner Pool	2"
00902230	Concrete	2"



Hose union

ABS threaded union fitting for Ø 38 vacuum hose. It is UV protected and chemically resistant.

Code	Description	Connection
00902034	Hose union for vacuum fitting	1.5"





► Main Drain



Circular Main Drain

Circular main drain, 210mm dia. 2" threaded side connection. The drain body and grill are made of white ABS plastic. Designed for surface suction velocity not exceeding 0.5 m/sec. Recommended velocity through the drain pipe is 1.5 m/sec. Max. flow rate 15 m³/h. It is always recommended to have at least two drains per pool, irrespective of the size of the pool.

Circular Main Drain with Antivortex Grill

Circular main drain with antivortex grill, 200 mm dia. 2" threaded side connection. The drain body and grill are made of white ABS plastic. Main drain for concrete and liner pools

Main drain for Concrete and Liner Pools

Code	Description	Connection	U
00902310	Concrete	2"	x1
00902311	Liner	2"	x1

Circular Main Drain with Antivortex Grill

Code	Description	Connection	U
00902312	Concrete	2"	x1
00902313	Liner	2"	x1



Circular Main Drain with Face Plate Made in SS AISI 316

Designed for surface suction velocity not exceeding 0.5m/sec.
Max. flow rate 15 m³/h.
Female side connection
Female connection: 2"

Code	Description	Connection	U
00902314	Concrete	2"	x1
00902309	Liner	2"	x1



Circular Main Drain

Circular main drain with grill, 200 mm dia. 2" threaded side connection. The drain body and grill are made of white ABS plastic. Recommended flow 15m³/hr Concrete and liner pool

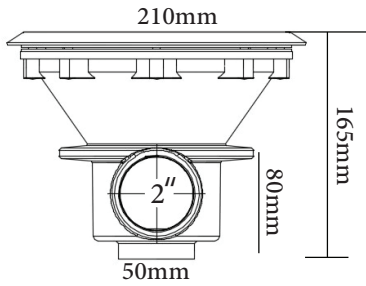
Code	Description	Connection	U
00902320	Concrete	2"	x1
00902325	Liner	2"	x1



Pool Fittings

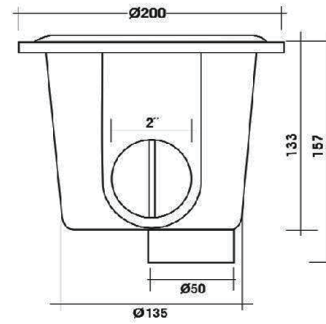


► Main Drain Diagram



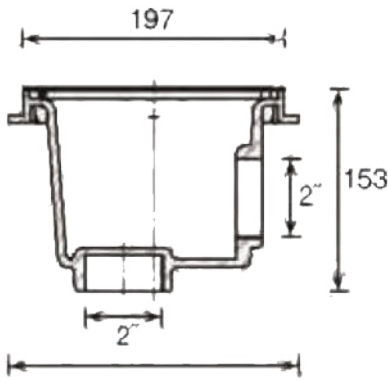
00902310

00902311



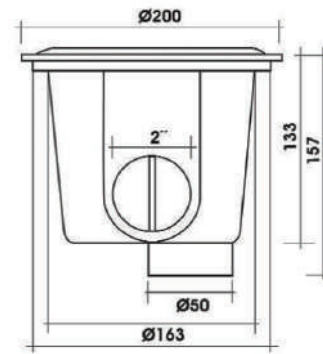
00902312

00902313



00902314

00902309

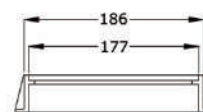


00902320

00902325



00902034



00902324

Pool Shell Equipments



► Main Drain



Circular Main Drain with Antivortex Grill

Circular main drain with antivortex grill, 195 mm dia. 2" threaded side connection. The drain body and grill are made of white ABS plastic.

Code	Description	Connection	U
00902315	Concrete	2"	x1



Base Drain with Antivortex Grill for Concrete Pool

Drain grill made of white ABS plastic with extra stability pillars of extra strength grill fixed with SS screws.

Code	a	b	Description	Flow Rate	U
00902321	225	264	225mmx225mm	20m ³ /h	x1
00902322	300	335	300mmx300mm	43m ³ /h	x1
00902323	450	490	450mmx450mm	125m ³ /h	x1



Anti-Vortex SS Main Drain Grille AISI 316

Round drain grill made of stainless steel AISI 316. Dia 220mm. Flow rate 13m³/h

Code	Description	Flow Rate
00902034	Base Drain - concrete	13m ³ /h



Circular Main Drain ABS with SS Grill

Round base drain made in white ABS and grill manufactured in stainless steel 316 The grill 204mm size and grill fixed with SS screws. Suitable for concrete pool.

Code	Description	Flow Rate
00902324	Base Drain - concrete	13m ³ /h

Anti Vortex LID



Code	Grating mm	Volume m ³
00902331	250x250	0.012



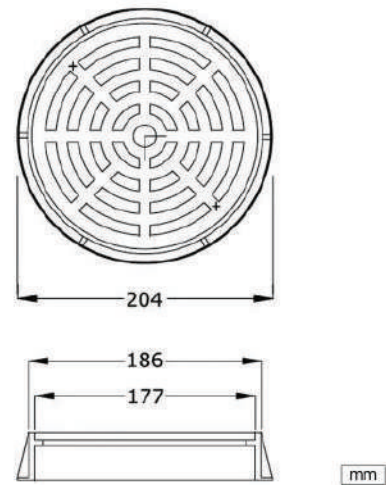
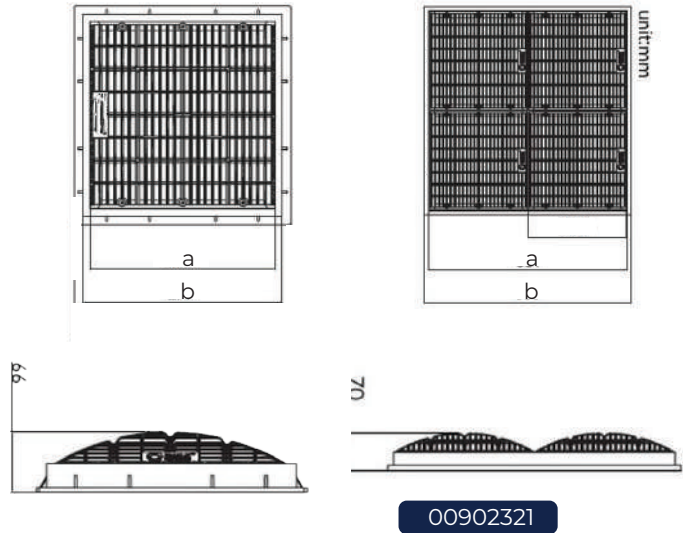
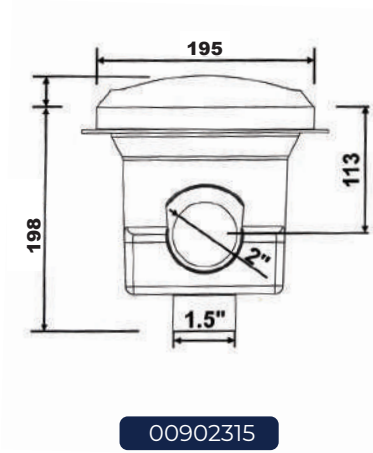
Main Drain Antivortex



Support Ring and Circular Grille 0220mm Made of Stainless Steel AISI 316. Supplied with Grille Fixing Screws.

Code	Description	Size	Flow Rate
00930010	SS Frame & Grate AV	250x250	12m ³ /h
00930011	SS Frame & Grate AV	300x300	43m ³ /h
00930012	SS Frame & Grate AV	400x400	83m ³ /h
00930013	SS Frame & Grate AV	500x500	136m ³ /h

Main Drain Antivortex Diagram



Pool Fittings



► Main Drain Grills and Support



Circular Drain Grill

Drain grill made of white ABS plastic with extra stability pillars for extra strength. SS screws. Surface suction velocity 0.5m/sec. Max. recommended flowrate 13m³/h Grill Size 204mm

Code	Description	Flow Rate	U
00902316	Base Drain - Concrete	13m ³	x1

Circular Antivortex Drain Grill

Drain grill made of white ABS plastic with extra stability pillars for extra strength. SS screws. Surface suction velocity 0.5m/sec. Max. recommended flowrate 13m³/h Size 206 mm

Code	Description	Flow Rate	U
00902317	Antivortex - Concrete	13m ³	x1

Pool Shell Equipments



Square Drain Grill

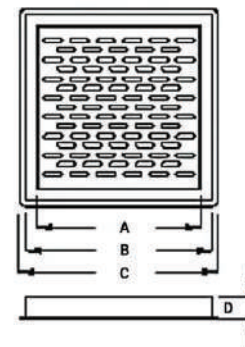
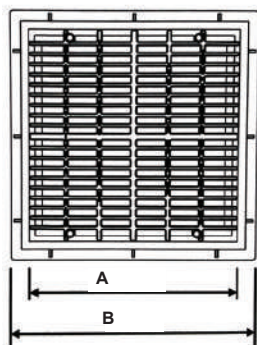
Drain grill made of white ABS plastic with extra stability pillars for extra strength. SS screws. Surface suction velocity 0.5m/sec.

Code	a	b	Description	Flow Rate	U
00902219	225	264	225mm X 225mm	20m ³ /h	x1
00902318	300	336	300mm X 300mm	43m ³ /h	x1
00902220	450	490	450mm X 450mm	95m ³ /h	x1

Main drain Stainless Steel

Stainless steel frame made in AISI 316. Stainless steel grill. Supplied with grill fixing screws. Other dimensions can be supplied on demand.

Code	a	b	Description	Flow Rate	U
00902215	218	253	225mm X 225mm	20m ³ /h	x1
00902216	304	335	300mm X 300mm	43m ³ /h	x1
00902217	455	460	450mm X 450mm	85m ³ /h	x1
00902218	475	510	500mm x 500mm	135m ³ /h	x1



Pool Fittings



► Drains 355X355mm for Commercial Pools



Code	Connection	Pool type	Grating	Size grating mm	Flow m ³ /h	Volume m ³
00902319	75	Concrete pool	Plastic	250x250mm	19	0.035
00902320	90	Concrete pool	Plastic	250x250mm	28	0.035
00902321	110	Concrete pool	Plastic	250x250mm	40	0.035
00902322	75	Concrete pool	AISI316L	250x250mm	19	0.035
00902323	90	Concrete pool	AISI316L	250x250mm	28	0.035
00902324	110	Concrete pool	AISI316L	250x250mm	40	0.035
00902325	75	Liner pool	Plastic	250x250mm	19	0.035
00902326	90	Liner pool	Plastic	250x250mm	28	0.035
00902327	110	Liner pool	Plastic	250x250mm	40	0.035
00902328	75	Liner pool	AISI316L	250x250mm	19	0.035
00902329	90	Liner pool	AISI316L	250x250mm	28	0.035
00902330	110	Liner pool	AISI316L	250x250mm	40	0.035

Pool Shell Equipments

Drains 355X355mm for Commercial Pools

Drains suitable for commercial swimming pools. Made with polyester and reinforced fiberglass. Plastic or stainless steel (AISI 316 L) square grating of 250x250mm, fixed with stainless steel screws. Optionally, can be supplied with vertical water outlet. Optionally the grill can be replaced by an anti-vortex lid, that prevents the pump from having intake whirlpool. It can be used for both liner and beton models. Set of mixing screws included.

Code ABS	Code SS	Connection	Material	Grating	Size grating mm	Flow m ³ /h	Volume m ³
00902342	00902358	110	SS/ABS	AISI304	480x480mm	40	0.13
00902343	00902359	125	SS/ABS	AISI304	480x480mm	52	0.13
00902344	00902360	140	SS/ABS	AISI304	480x480mm	66	0.13
00902345	00902361	160	SS/ABS	AISI304	480x480mm	89	0.13
00902346	00902362	200	SS/ABS	AISI304	480x480mm	94	0.13
00902347	00902363	110	SS/ABS	AISI-316L	480x480mm	40	0.13
00902348	00902364	125	SS/ABS	AISI-316L	480x480mm	52	0.13
00902349	00902365	140	SS/ABS	AISI-316L	480x480mm	66	0.13
00902350	00902366	160	SS/ABS	AISI-316L	480x480mm	89	0.13
00902351	00902367	200	SS/ABS	AISI-316L	480x480mm	94	0.13

Drains 512X512mm for Commercial Pools

Drains suitable for commercial swimming pools. Made with polyester and reinforced fiberglass stainless steel (AISI 304 or AISI 316 L) square grating of 480x480mm, fixed with stainless steel screws. Optionally, can be supplied with vertical water outlet. The grill can be replaced by an anti-vortex lid, that prevents the pump from having intake whirlpool. It can be both, liner and beton models. Set of fixing screws included.



Pool Fittings



► Water Level Regulator



Pool Shell Equipments

Code	Description	m ³
00902319	Water level regulator	0.0015

The level regulator is recommended for skimmer type pools as skimmer pools do not have a balance tank for introduction of make up water in the pool. Installation of a level regulator will ensure that the desired water level is always maintained, thereby eliminating the risk of dry running of the pump when the water level falls below the skimmer weir level. Made of white ABS plastic with square lid.



Code	Description	m ³
SNR-1609	Electronic level control	0.0015

Water Level Control with Solenoid Valve

This water level control operates with a water tight miniature float switch (IP 67) and is in particular suited for swimming pools. The function of the miniature float switch can be modified from "closing" to "opening contact". A solenoid valve in damped version can be included with the delivery. The line of the float switch can be extended up to 100 m (some 300) by means of a screened wire. The time delay on the electronic board will prevent too short switching intervals during wave motions.

Main	1/N/PE/230V/50hz
Switching power	0.9kW AC3
Protection	IP 40
Dimensions	140 x 100 x 67
Electrode Voltage	12V

Code	Description	m ³
NR-12-TRS-12	Electronic level control	0.0015

Electronic Level Control Overflow Collecting Basin

The electronic level control provides the functions "Dry-Running protection" (TRS) and "Automatic Switching-ON" of the filter pump. The control unit NR-12-TRS-2 is in particular suited for installations with overflow channel in swimming and whirlpools. The level control operates basically with 5 electrodes. In case the "automatic Switching-ON" function is not needed, the corresponding electrode can be dropped. The required electrodes with a 3 m long special ozone and water resistant line will be supplied by OSF.

Main	1/N/PE/230V/50hz
Switching power	0.9kW AC3
Protection	IP 44
Dimensions	220 x 220 x 100
Electrode Voltage	Max 12V



Water Level Control with Sensing Device

Level control for all liquids, such as water, complying fully with the latest standard DIN 57700, Part 232 and VDE-specification VDE 0700, Part 232. The special sensing device is completely resistant to swimming-pool water whose level it measures precisely. The current carrying electronics do not come into contact with water (VDE requirement), so there is no possibility of electrolytic build-up on the sensor. All the electronic components are contained in a printed circuit which is in a plastic housing.

Technical data	Level Control Skimmer
Main	1/N/PE/230V/50hz
Switching power	900W AC3



► Skimmer Accessories

Skimmer Top Lid standard



Code	Description	m ³
00-109	Skimmer top lid	0.0015

Wide mouth skimmer Top Lid



Code	Description	m ³
00-113	Wide mouth Skimmer top lid	0.0015

Skimmer Basket standard



Code	Description	m ³
00-110	Skimmer basket	0.0015

Skimmer front panel liner pool



Code	Description	m ³
00-112	Skimmer basket	0.0015

Top overflow drain top lid



Code	Description	m ³
00-029	top overflow drain lid	0.0015

Anti vortex drain top lid



Code	Description	m ³
00-315	top overflow drain lid	0.0015

